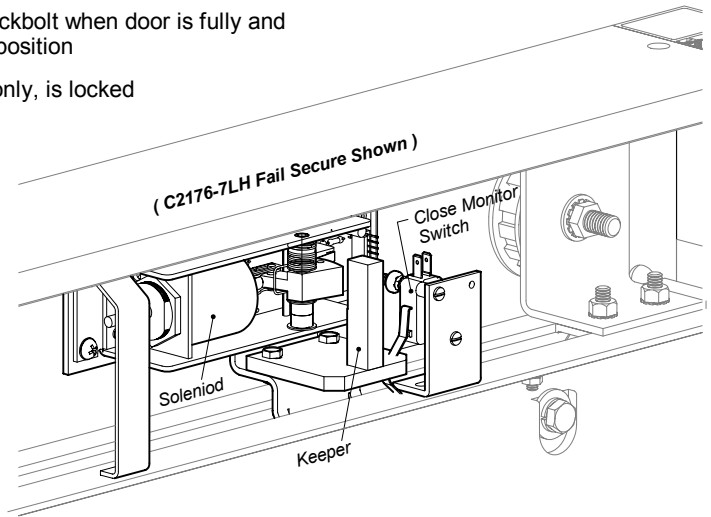
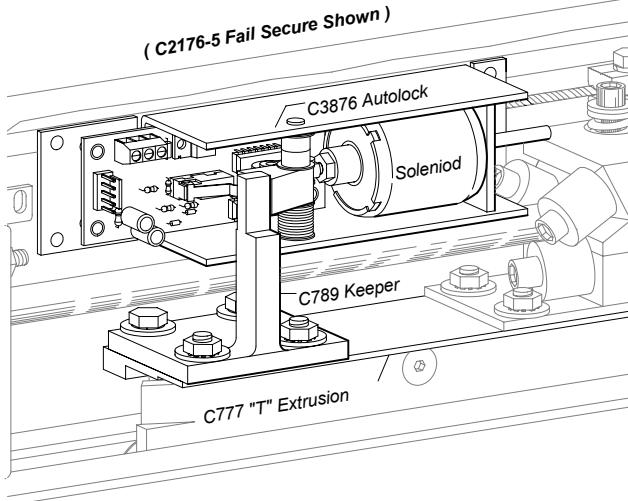


General Autolock Operation

1. Open signal is received by control
2. Unlock signal is sent to Autolock
3. Solenoid retracts lockbolt
4. Door Opens then Closes
5. Solenoid extends lockbolt when door is fully and keeper is in locked position
6. Door slide motion, only, is locked



SERIES 2000 LINEAR DRIVE

C2176-5 Fail Secure

(If Power Fails the Door Will Remain Locked)

C2196-5 Fail Safe (If Power Fails the Door Will Unlock)

SERIES 2000B ELITE BELT DRIVE AUTOLOCK

FOR SINGLE SLIDE

C2176-7LH or RH Fail Secure

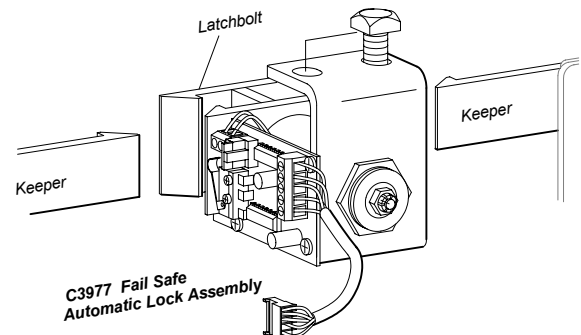
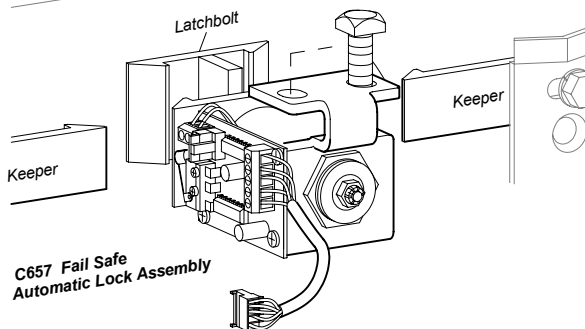
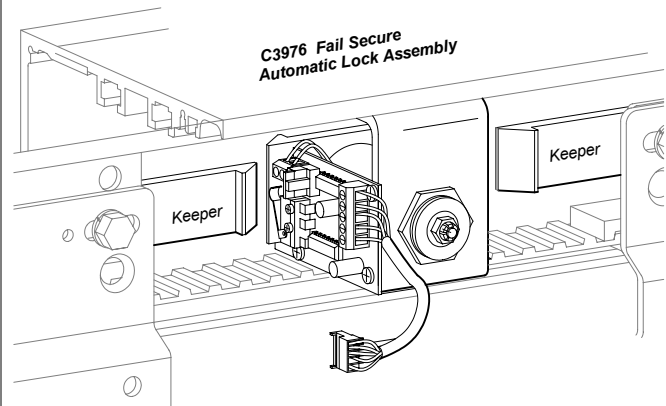
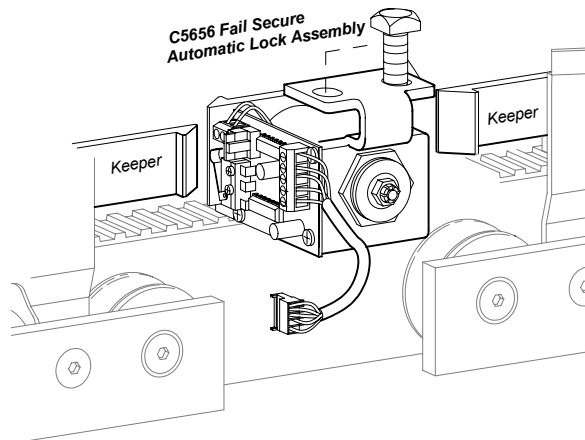
(If Power Fails the Door Will Remain Locked)

C2196-7LH or RH Fail Safe (If Power Fails the Door Will Unlock)

FOR BIPART

C2176-7RH Fail Secure

C2196-7RH Fail Safe



SERIES 2003 BELT DRIVE AUTOLOCK

C5656 Fail Secure

(If Power Fails the Door Will Remain Locked)

C5657 Fail Safe (If Power Fails the Door Will Unlock)

2001 SERIES BELT DRIVE AUTOLOCK

C3976 Fail Secure

(If Power Fails the Door Will Remain Locked)

C3977 Fail Safe (If Power Fails the Door Will Unlock)