



® 4242 Baldwin Boulevard
Corpus Christi, Texas
USA 78405-3399
Tel: 800-531-3111, 361-888-5591
Fax: 800-531-3108, 361-888-6510
www.hortondoors.com
The Automatic Choice

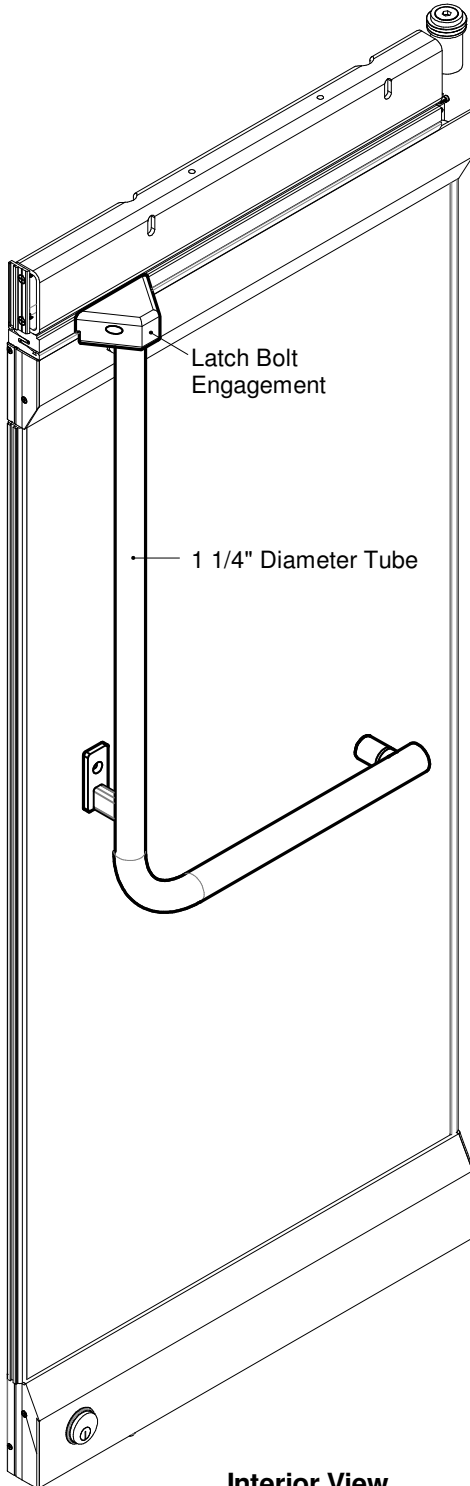
SPECIFICATION DETAILS

AUTOMATIC COMMERCIAL SLIDE DOORS

Panic Device for Elegant® Type 'SX' Slide Panel

A5.8e

Mar 15



Interior View

C2300-8 RHR Panic Device

C2300-9 LHR Panic Device

- 1 1/4" Diameter Tubular Design
- Brushed Stainless Steel
- UL, ULC, & ANSI/BHMA Certified

Installation and Operation

- The horizontal bar centerline is mounted 42 5/8" above finished floor with a 2 5/8" projection from face of glass.
- The operating mechanism concealed within the vertical tubing retracts the latch bolt when the actuation bar is pushed.
- A "dogging" feature using a simple slide lever allows the doors to remain unlocked during business hours.
- An optional exterior Keyed Access Device can be installed to allow entry.