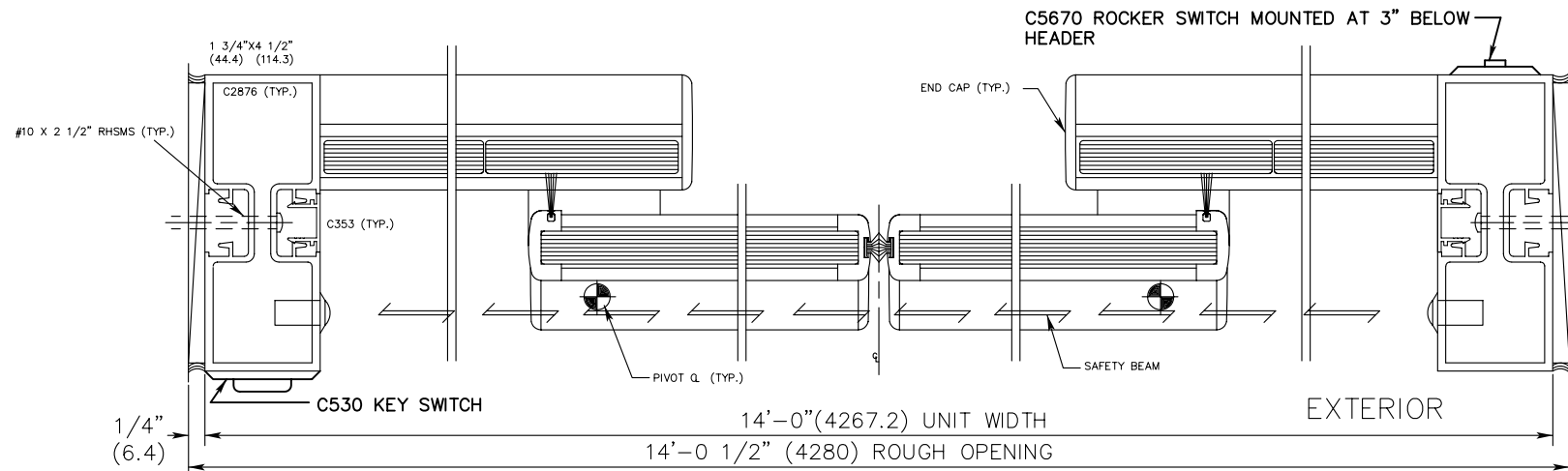
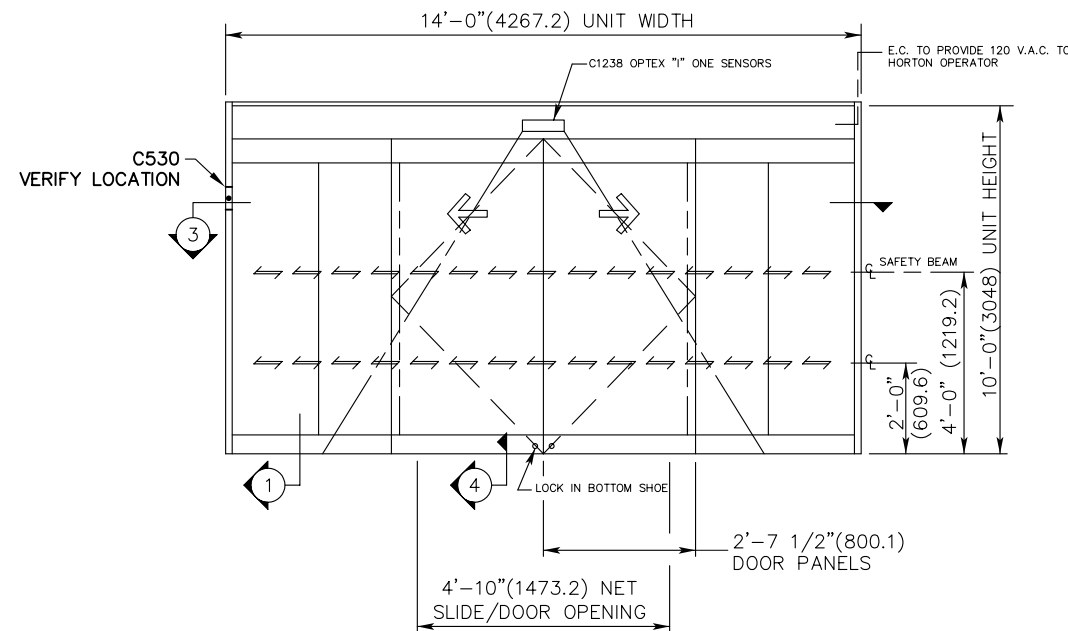
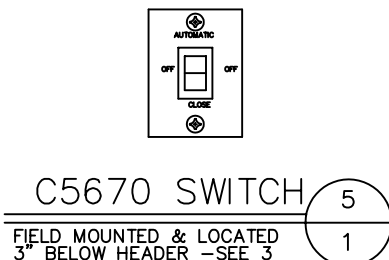


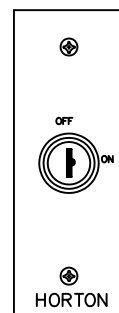
VERTICAL SECTION 1
DOOR SHOWN IN OPEN POSITION



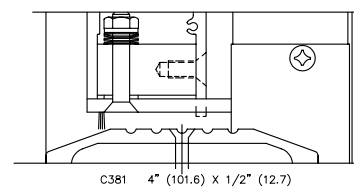
HORIZONTAL SECTION 3



ELEVATION 2



C530 KEY SWITCH 6
FIELD MOUNTED & LOCATED 1



THRESHOLD SECTION 4

PACKAGE LIST	
QTY.	DESCRIPTION
1	SERIES 2500 AUTOMATIC "ELEGANT" SLIDING DOOR Size: 14'-0" Wide X 7'-6" High Type: 0-SX-SX-0 Glass Prep. 1/2"
4	C2971 4-1/2" BOTTOM RAIL
1	C381 1/2" X 4" CONTINUOUS THRESHOLD
4	C7775 SAFETY BEAMS
2	C1238 OPTEX "I" SENSOR
4	C1630-2 TWO SIDED DECAL FOR 2-WAY TRAFFIC
4	C1682 DECAL "IN EMERGENCY PUSH TO OPEN"
2	C5670 ROCKER SWITCH
2	C530 KEY SWITCH MOMENTARY CONTACT

PLEASE COMPLETE/VERIFY THE FOLLOWING:

PACKAGE QUANTITY: _____

ROUGH OPENING: MUST HOLD SIZE REQUIREMENTS

STORE TYPE: STD GLASS TOWER SECURITY STORE (ALL 204-R1) (ADD POST)

ANODIZED FINISH: 204-R1 CLEAR (SELECT ONE) 313-R1 DARK BRONZE SPECIAL (incl. paint sample w/dwg.)

Note: All Exposed Aluminum will be 204-R1 Unless Otherwise Noted

REQUIRED INSTALLATION DATE: _____

JOB SUPERINTENDENT: _____

JOB SITE PHONE: _____

A DIVISION OF OVERHEAD DOOR CORPORATION
4242 BALDWIN BOULEVARD
CORPUS CHRISTI, TEXAS 78405-3399
361-888-5591 1-800-531-3111
FAX: 361-888-6510, 1-800-531-3108
http://www.hortondoors.com

JOB NAME: _____

LOCATION: _____

DISTRIBUTOR: _____

GENERAL CONTRACTOR: _____

INVOICE # _____

CUSTOMER ORDER # _____

DATE: _____