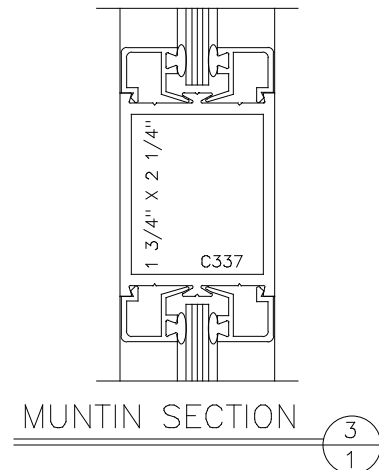
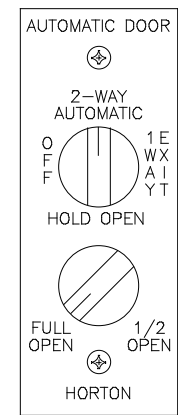


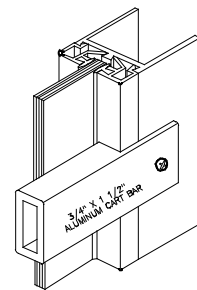
VERTICAL SECTION 1
DOOR SHOWN IN OPEN POSITION



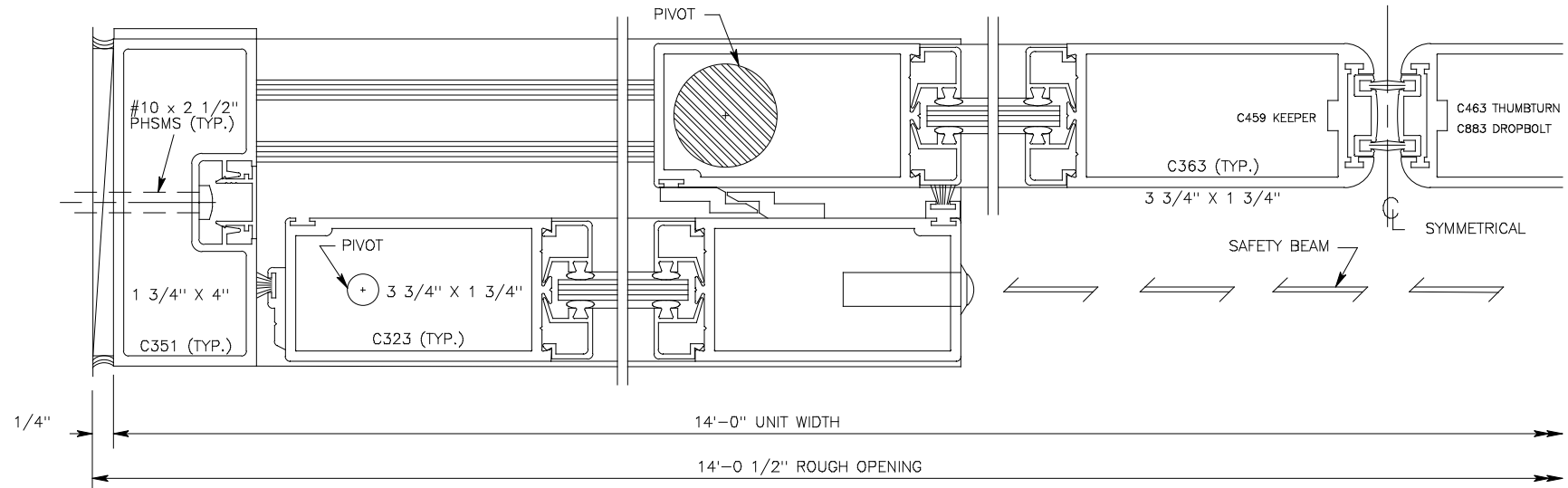
MUNTIN SECTION 3
1



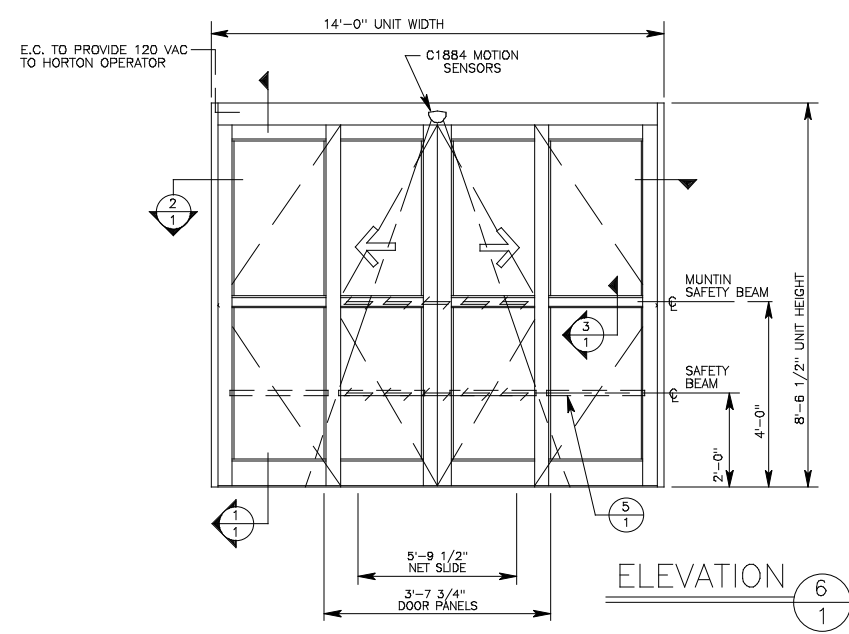
C3726 ROTARY SWITCH 4
FIELD MOUNTED & LOCATED AT 60\"/>



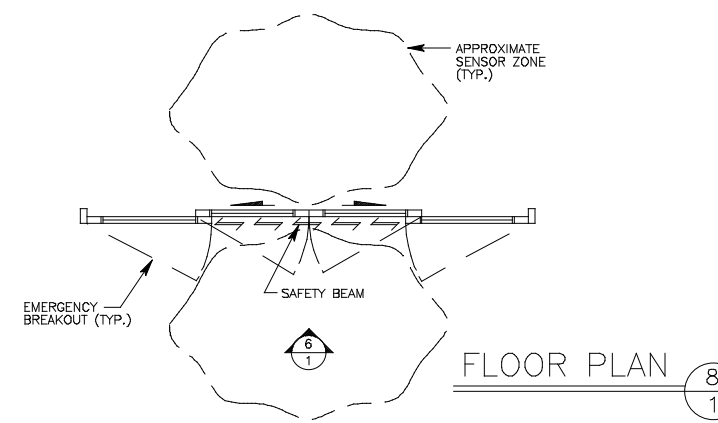
CART BAR DETAIL 5
SENT LOOSE & FIELD MOUNTED
INTERIOR SIDE AT 24\"/>



HORIZONTAL SECTION 2
1



ELEVATION 6
1



FLOOR PLAN 8
1

PACKAGE LIST

QTY:	DESCRIPTION
2	SERIES 2003 AUTOMATIC SLIDE DOOR Size: 14'-0" Wide X 8'-6" High Type: S0-SX-SX-S0 Stile: Medium
4	CART BAR
4	C337 2 1/4" HORIZONTAL MUNTIN
4	C283 BOTTOM RAIL
1	C3726-1 ROTARY SWITCH
2	C1884 MOTION SENSORS
1	30" PARTIAL OPEN CUTOFF
4	SURFACE MOUNT EXTENDED SWEEPS
2	C351 JAMBS
2	C1192 SAFETY BEAMS

Please Complete/Verify the Following:

PACKAGE QUANTITY:	
ROUGH OPENING(S):	
FINISH (SELECT ONE): <input checked="" type="checkbox"/> 315-R1 BLACK ANOD. <input type="checkbox"/> 204-R1 CLEAR ANODIZED	
INSTALLATION DATE REQUIRED:	
JOB SUPERINTENDENT:	
JOBSITE PHONE:	

A DIVISION OF OVERHEAD DOOR CORPORATION

Horton AUTOMATICS

4242 Baldwin Boulevard
Corpus Christi, Texas 78405-3399
512-888-5591
800-531-3111
Fax: 512-888-6510
Fax: 800-531-3108
http://www.hortondoors.com

JOB NAME: **MENARDS**

LOCATION:
DISTRIBUTOR:
GEN. CONTRACTOR:
INVOICE NO.:
CUSTOMER ORDER NO.:
DATE: SHEET 1 of 1 Revision: