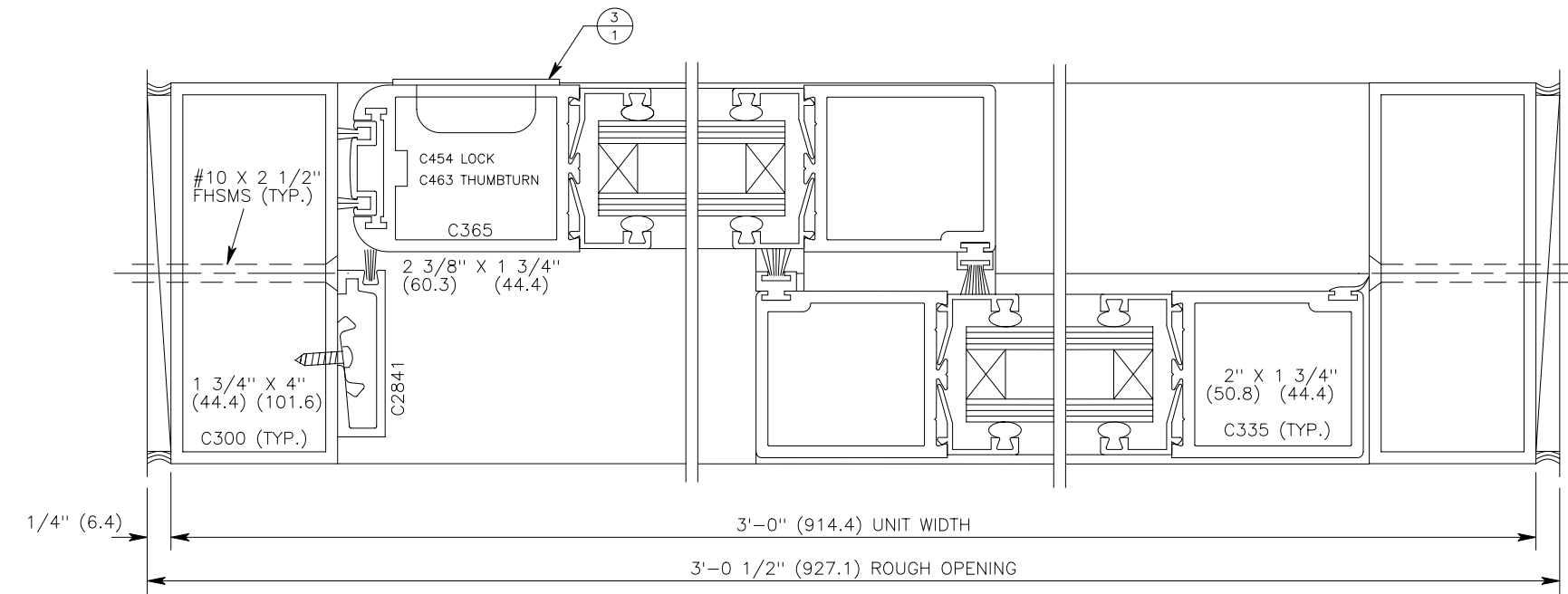
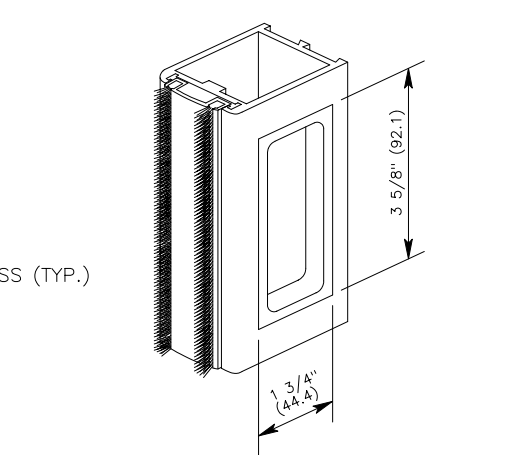


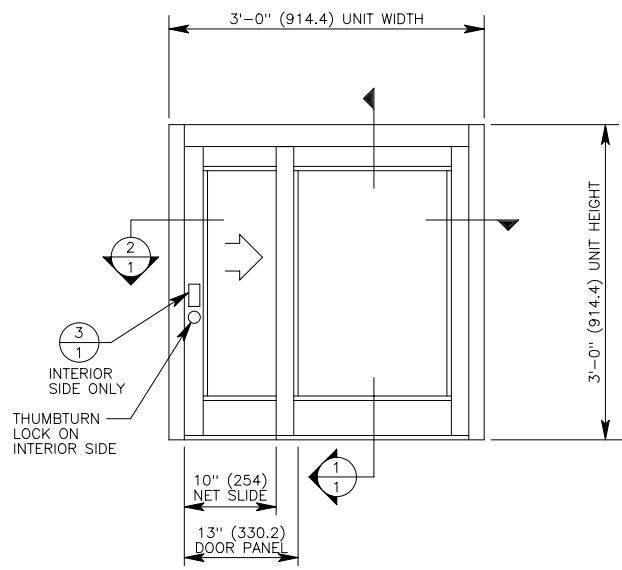
**VERTICAL SECTION** 1/1  
DOOR SHOWN IN OPEN POSITION



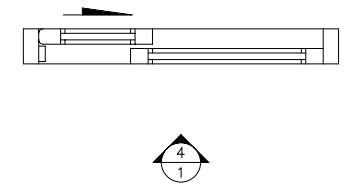
**HORIZONTAL SECTION** 2/1



**FLUSH PULL DETAIL** 3/1



**ELEVATION** 4/1



**FLOOR PLAN** 5/1

**PACKAGE LIST**

| QTY: | DESCRIPTION   |
|------|---|
| 1    | SERIES 8900 SANI-SERV WINDOW<br>Size: 36" Wide X 36" High<br>Type: 0-X or X-0 Stile: NARROW |

**Please Complete/Verify the Following:**

|                             |  |
|-----------------------------|--|
| PACKAGE QUANTITY:           |  |
| ROUGH OPENING(S):           |  |
| FINISH:<br>(SELECT ONE)     | <input type="checkbox"/> 204-R1 CLEAR ANODIZED<br><input type="checkbox"/> 313-R1 DARK BRONZE ANODIZED |
| INSTALLATION DATE REQUIRED: |  |
| JOB SUPERINTENDENT:         |  |
| JOBSITE PHONE:              |  |

**Horton** AUTOMATICS  
A DIVISION OF OVERHEAD DOOR CORPORATION  
4242 Baldwin Boulevard  
Corpus Christi, Texas 78405-3399  
361-888-5591  
800-531-3111  
Fax: 361-888-6510  
Fax: 800-531-3108  
http://www.hortondoors.com

JOB NAME: **WHATABURGER**

LOCATION:

DISTRIBUTOR:

GEN. CONTRACTOR:

INVOICE NO.:

CUSTOMER ORDER NO.:

DATE: 1-12-06 SHEET 1 of 1 Revision: