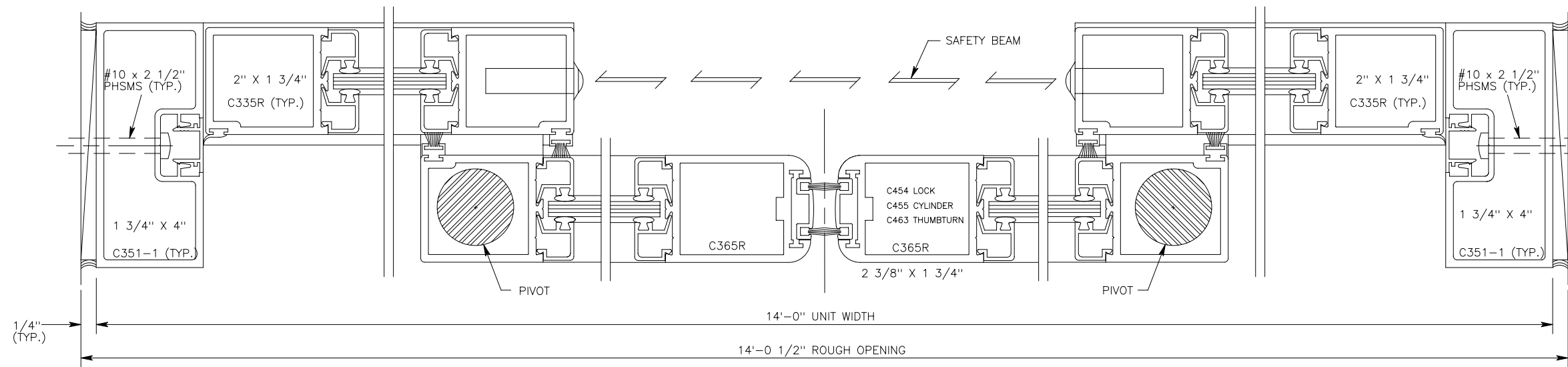
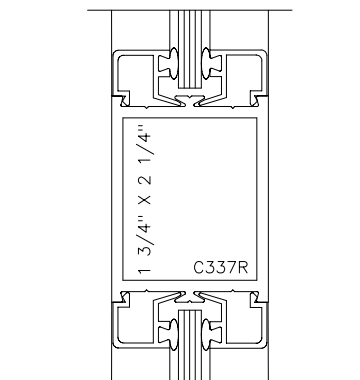


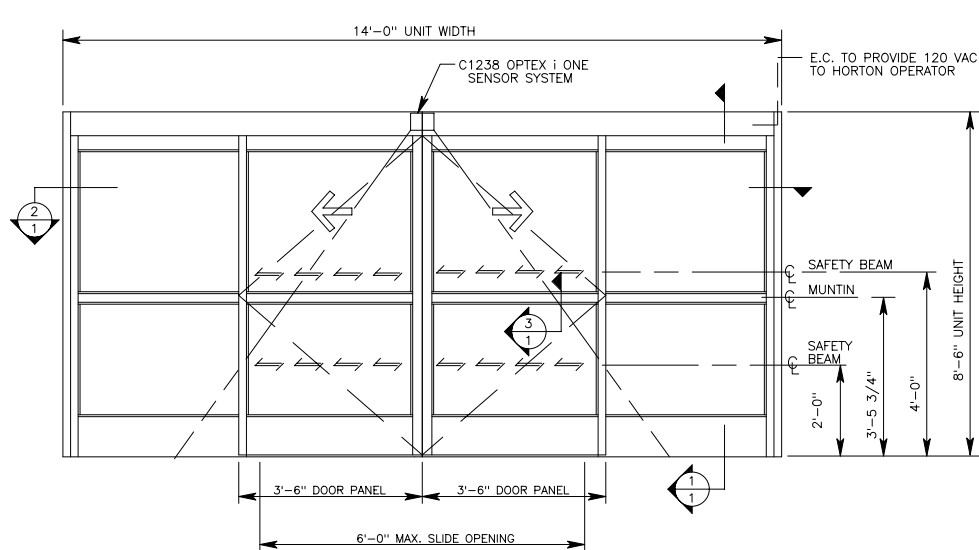
VERTICAL SECTION 1/1



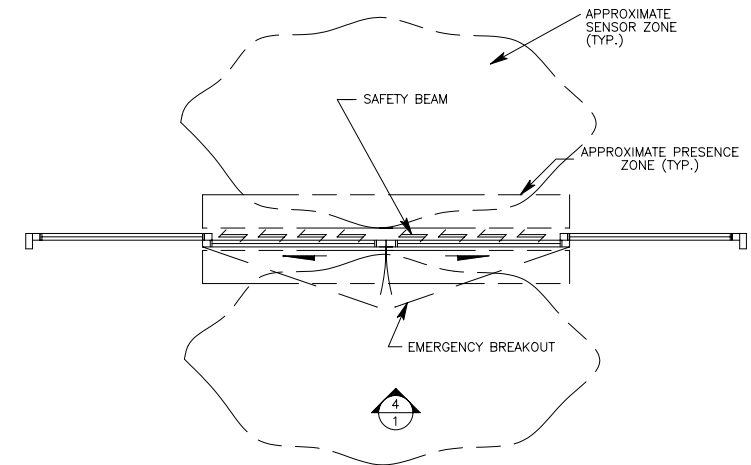
HORIZONTAL SECTION 2/1



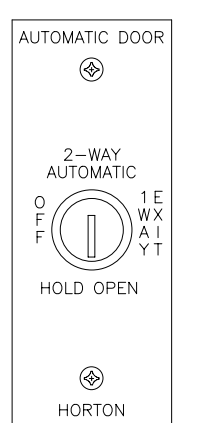
MUNTIN SECTION 3/1



ELEVATION 4/1



FLOOR PLAN 5/1



C3725-1 KEYSWITCH 6/1
FIELD MOUNTED & LOCATED ON JAMB

PACKAGE LIST

QTY:	DESCRIPTION
1	SERIES 2003 AUTOMATIC BIPART SLIDING DOOR Size: 14'-0" Wide x 8'-6" High Type: 110 O-SX-SX-O Stile: Narrow
4	C337R 2 1/4" HORIZONTAL MUNTIN
4	C2966-1 10" BOTTOM RAIL
1	C3725-1 KEY SWITCH
2	C1238 SENSOR SYSTEM
4	C1192 SAFETY BEAMS

Please Complete/Verify the Following:

PACKAGE QUANTITY: _____

ROUGH OPENING(S): _____

FINISH (SELECT ONE): 315-R1 BLACK ANOD. 204-R1 CLEAR ANODIZED

INSTALLATION DATE REQUIRED: _____

JOB SUPERINTENDENT: _____

JOB SITE PHONE: _____

A DIVISION OF OVERHEAD DOOR CORPORATION

Horton AUTOMATIC S

4242 Baldwin Boulevard
Corpus Christi, Texas 78405-3399
361-888-5591
800-531-3111
Fax: 361-888-6510
Fax: 800-531-3108
http://www.hortondoor.com

JOB NAME: **U-HAUL**

LOCATION: _____

DISTRIBUTOR: _____

GEN. CONTRACTOR: _____

INVOICE NO.: _____

CUSTOMER ORDER NO.: _____

DATE: _____ SHEET 1 of 1 Revision: _____