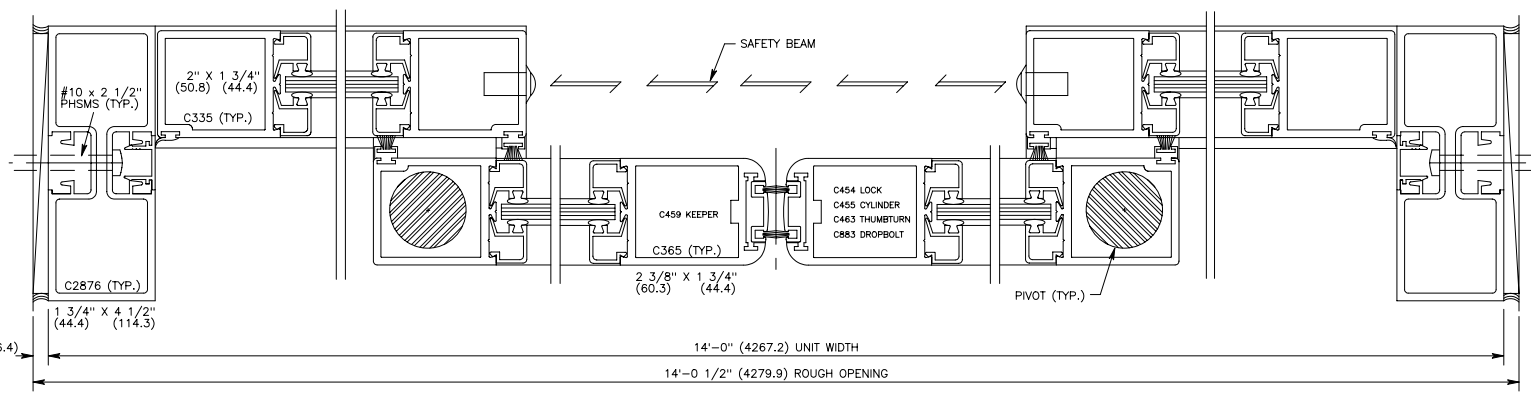
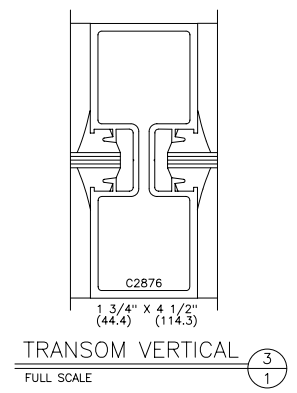


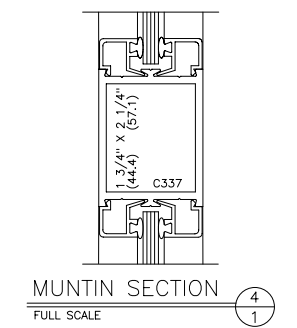
VERTICAL SECTION 1
FULL SCALE
DOOR SHOWN IN OPEN POSITION



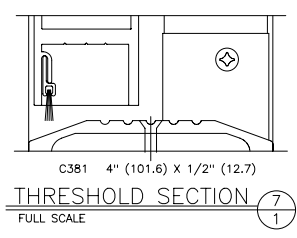
HORIZONTAL SECTION 2
FULL SCALE



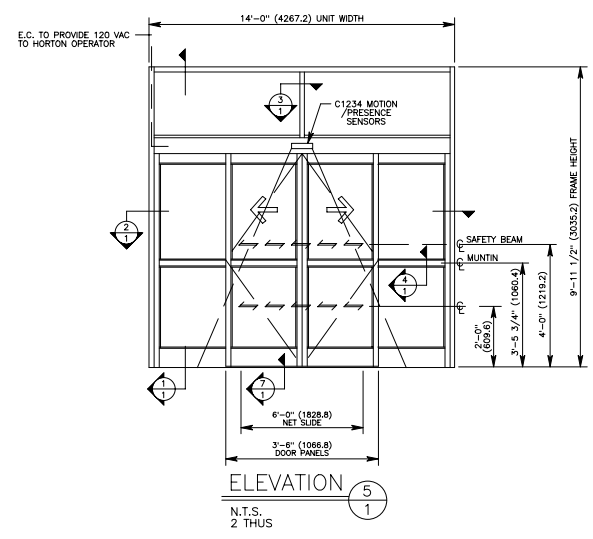
TRANSOM VERTICAL 3
FULL SCALE



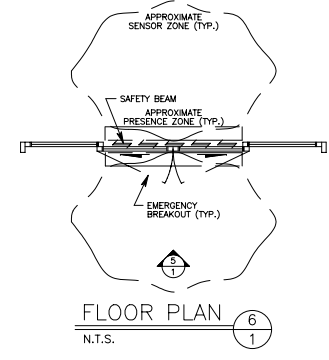
MUNTIN SECTION 4
FULL SCALE



THRESHOLD SECTION 7
FULL SCALE



ELEVATION 5
N.T.S.
2 THUS



FLOOR PLAN 6
N.T.S.

PACKAGE LIST

QTY:	DESCRIPTION
2	SERIES 2003/110 SLIDEDOOR Size: 14'-0" Wide X 7'-6" High Type: O-SX-SX-0 Stile: Narrow
4	C337 2 1/4" HORIZONTAL MUNTIN
4	7" STACKED BOTTOM RAIL
1	TRANSOM TO 10' WITH 1 VERTICAL
2	C2876 4 1/2" JAMBS
1	C381 4" THRESHOLD
2	C1234 MOTION/PRESENCE SENSORS
1	PAIR C7775 SAFETY BEAMS

Please Complete/Verify the Following:

PACKAGE QUANTITY:	2
ROUGH OPENING(S):	14'-0 1/2" X 10'-0 1/4"
FINISH (SELECT ONE):	<input type="checkbox"/> 313-R1 DK. BRZ. ANOD. <input type="checkbox"/> 204-R1 CLEAR ANODIZED
INSTALLATION DATE REQUIRED:	
JOB SUPERINTENDENT:	
JOB SITE PHONE:	

A DIVISION OF OVERHEAD DOOR CORPORATION
 4242 Baldwin Boulevard
 Corpus Christi, Texas 78405-3399
 512-888-5581
Horton 800-531-3111
 Fax: 800-888-6510
 A U T O M A T I C S http://www.hortondoors.com

JOB NAME:	TRACTOR SUPPLY
LOCATION:	
DISTRIBUTOR:	
GEN. CONTRACTOR:	
INVOICE NO.:	
CUSTOMER ORDER NO.:	
DATE:	SHEET 1 of 1 Revision: