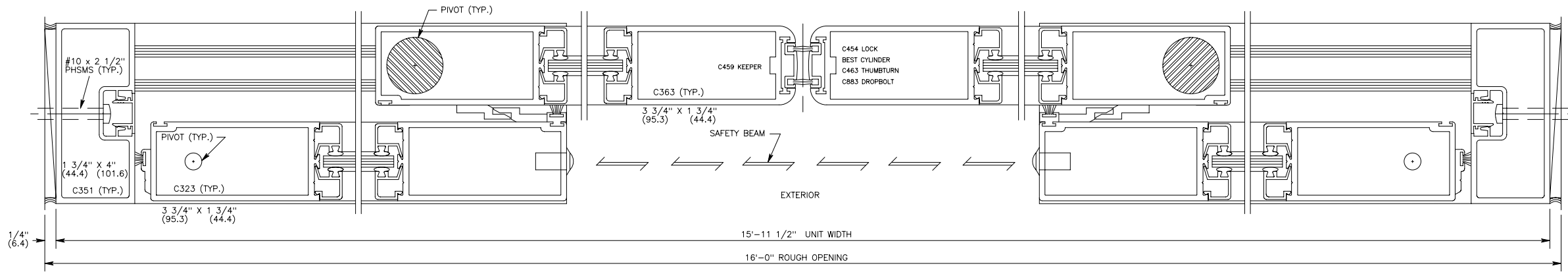
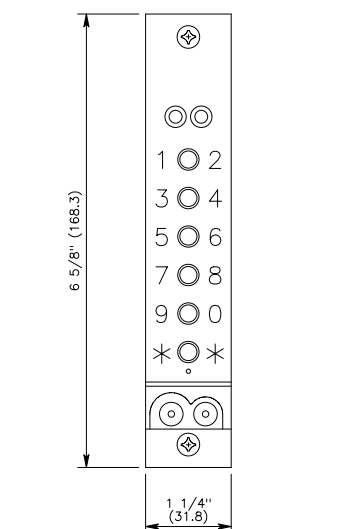


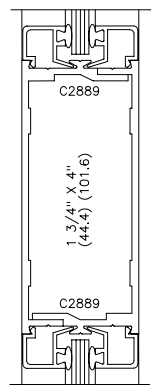
VERTICAL SECTION 1
DOOR SHOWN IN OPEN POSITION 1



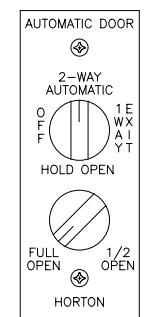
HORIZONTAL SECTION 2
1



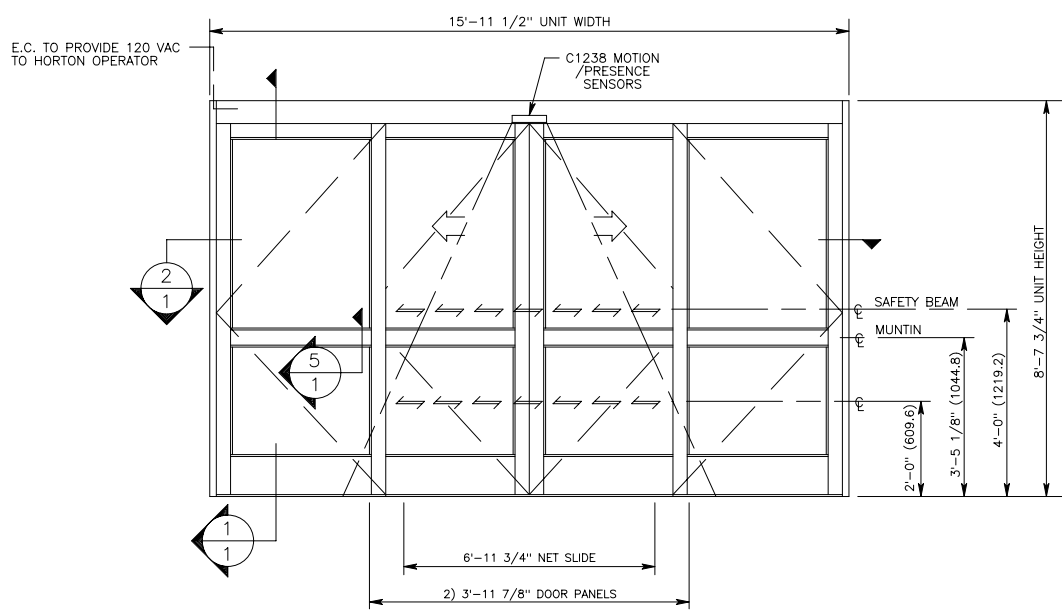
C1325 KEYPAD 4
FIELD MOUNTED. 1
NOTE: LOCATED AT EXIT DOOR ONLY.



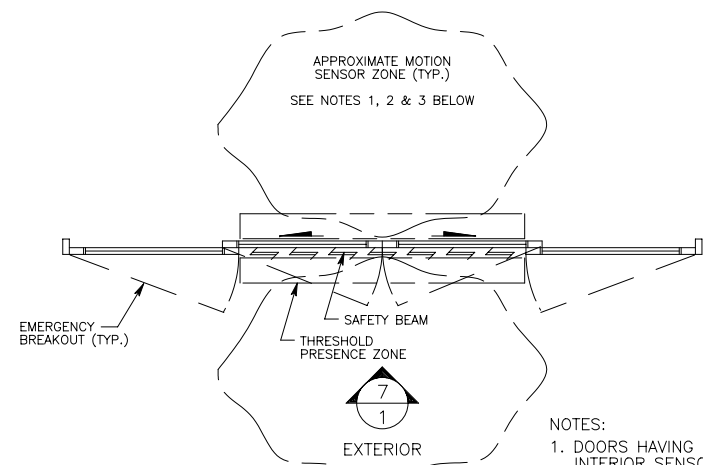
MUNTIN SECTION 5
1



C3726 ROTARY SWITCH 6
FIELD MOUNTED & LOCATED 1

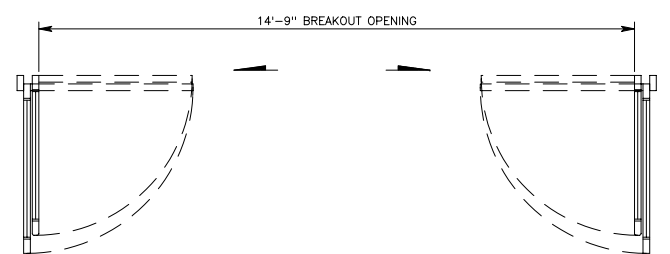


ELEVATION 7
2 THUS 1
DR. #02A, 11A



FLOOR PLAN 8
1

- NOTES:
- DOORS HAVING ENTER-ONLY ONE-WAY TRAFFIC WILL HAVE INTERIOR SENSOR "ON" WITH DOOR IN OPEN POSITION ONLY.
 - DOORS HAVING EXIT-ONLY ONE-WAY TRAFFIC WILL HAVE EXTERIOR SENSOR "ON" WITH DOOR IN OPEN POSITION ONLY.
 - DOORS HAVING TWO-WAY TRAFFIC WILL HAVE BOTH SENSORS "ON" IN BOTH OPEN & CLOSE POSITIONS.



PACKAGE LIST

QTY.	DESCRIPTION
1	SERIES 2001/310 AUTOMATIC SLIDING DOOR Size: 15'-11 1/2" Wide x 8'-7 3/4" High Medium Stile (No Thresh) Type: SO-SX-SX-SO Glass Prep: 5/16"
4	C2889 4" HORIZONTAL MUNTIN
4	C2966 10" BOTTOM RAIL
1	C7775 DUAL PHOTOELECTRIC SAFETY BEAMS
2	C1238 MOTION SENSORS
1	SET OF ALARM CONTACTS IN HEADER
1	C3726 ROTARY SWITCH
1	C1325 KEYPAD (LOCATED AT EXIT DR. ONLY)
1	"BEST" CYLINDER

Please Complete the Following:

PACKAGE QUANTITY: 2

ROUGH OPENING(S): 16'-0" X 8'-8"

FINISH (SELECT ONE): 204R1 CLEAR ANOD. 313R1 DARK BRZ. ANOD.

Note: All Exposed Aluminum will be 204R1 Unless Otherwise Noted.

INSTALLATION DATE REQUIRED:

JOB SUPERINTENDENT:

JOBSITE PHONE:

Horton AUTOMATICS

4242 Baldwin Boulevard
Corpus Christi, Texas 78405-3399
361-888-5591
800-531-3111
Fax: 361-888-6510
Fax: 800-531-3108
<http://www.hortondoors.com>

JOB NAME: **LOWE'S**

LOCATION:

DISTRIBUTOR:

GEN. CONTRACTOR:

INVOICE NO.:

CUSTOMER ORDER NO.:

DATE: SHEET 4 of 4 Revision: