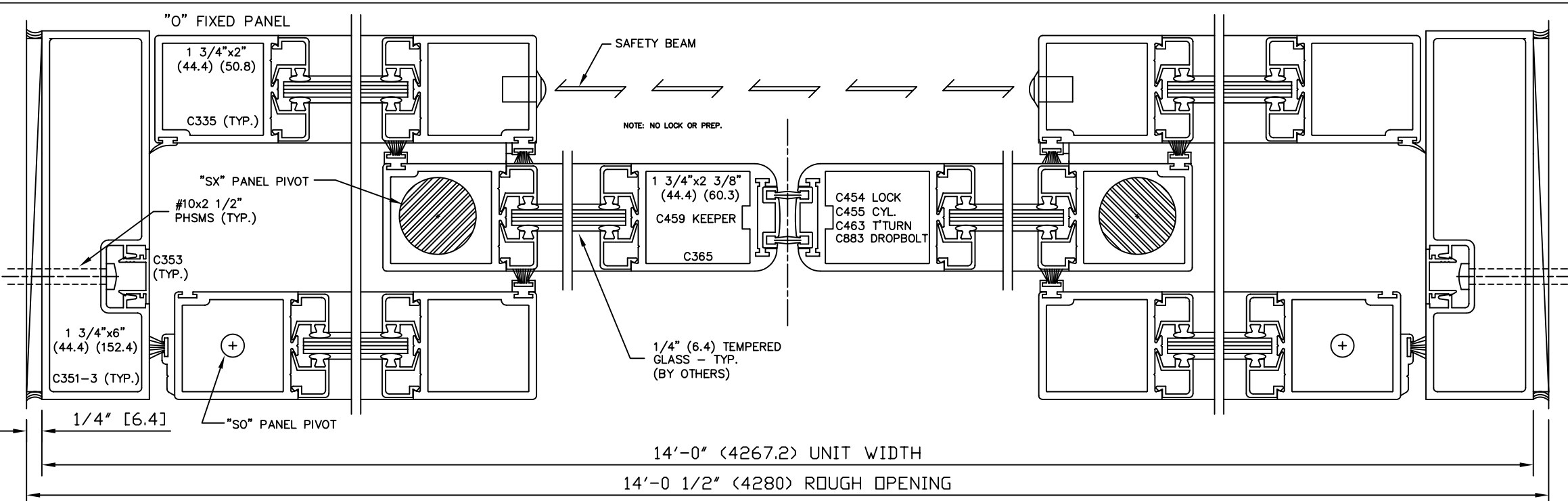
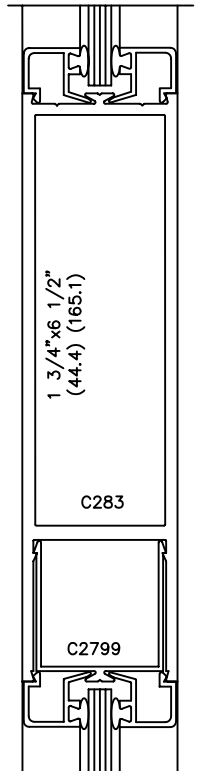


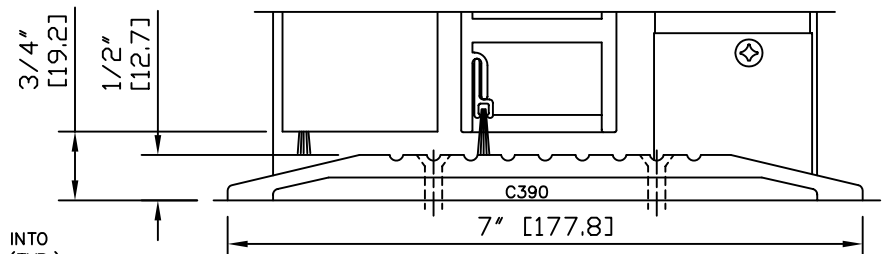
**VERTICAL SECTION 1**  
DOOR SHOWN IN OPEN POSITION



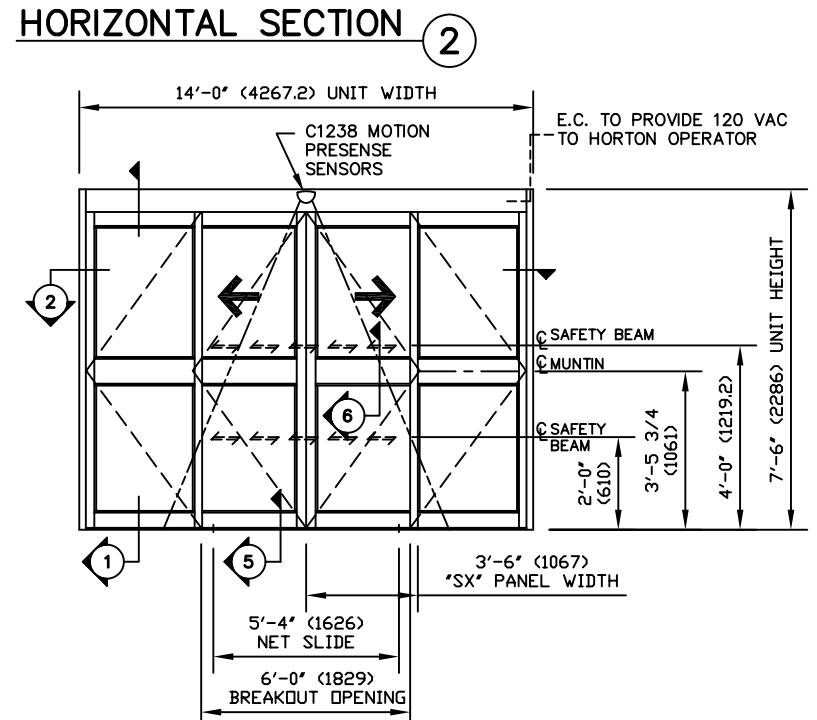
14'-0" (4267.2) UNIT WIDTH  
14'-0 1/2" (4280) ROUGH OPENING



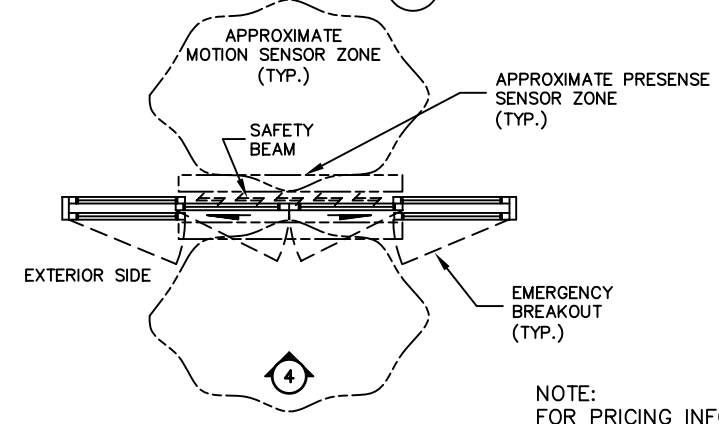
**MUNTIN SECTION 6**



**THRESHOLD SECTION 5**



**ELEVATION 4**



**FLOOR PLAN 3**

NOTE:  
FOR PRICING INFORMATION CALL  
HORTON AUTOMATICS  
NATIONAL ACCOUNTS DEPT.  
© 1-800-531-3111 ext. 109

PACKAGE LIST	
QTY.	DESCRIPTION
1	SERIES 2003/410 AUTOMATIC SLIDING DOOR Size: 14'-0" Wide x 7'-6" High Narrow Stile w/ Threshold Type: 0/SO-SX-SX-0/SO Glass Prep: 1/4"
6	C283 6 1/2" HORIZONTAL MUNTINS
4	C336 4" BOTTOM RAILS
1	C7775 DUAL PHOTOELECTRIC SAFETY BEAMS
2	C1238 MOTION/PRESENSE SENSORS

Please Complete the Following:

PACKAGE QUANTITY: 1  
ROUGH OPENING(S): 14'-0 1/2" X 7'-6 1/4"  
FINISH (SELECT ONE):  204R1 CLEAR ANOD.  
 313R1 DARK BRZ. ANOD.  
Note: All Exposed Aluminum will be 204R1 Unless Otherwise Noted.

INSTALLATION DATE REQUIRED:  
JOB SUPERINTENDENT:  
JOBSITE PHONE:

**Horton**  
AUTOMATICS

4242 Baldwin Boulevard  
Corpus Christi, Texas 78405-3399  
361-888-5591  
800-531-3111  
Fax: 361-888-6510  
Fax: 800-531-3108  
http://www.hortondoors.com

JOB NAME: **BORDERS "INTERIOR"**

LOCATION:  
DISTRIBUTOR:  
GEN. CONTRACTOR:  
INVOICE NO.:  
CUSTOMER ORDER NO.:  
DATE: SHEET 1 of 1 Revision: 1