

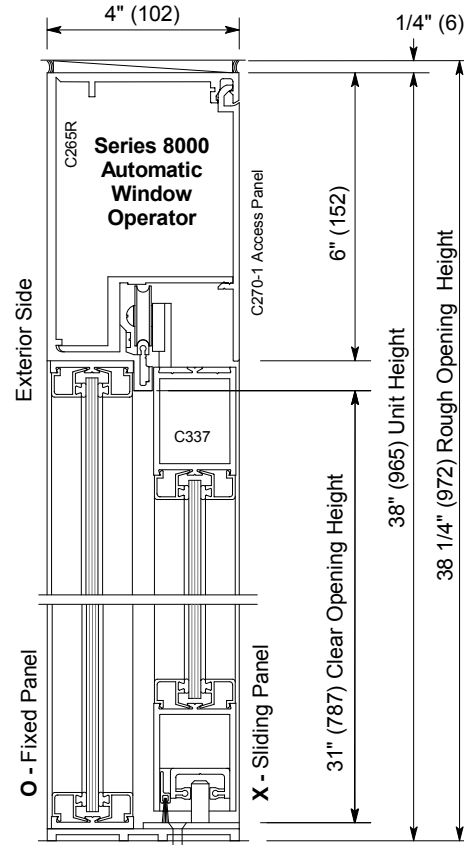
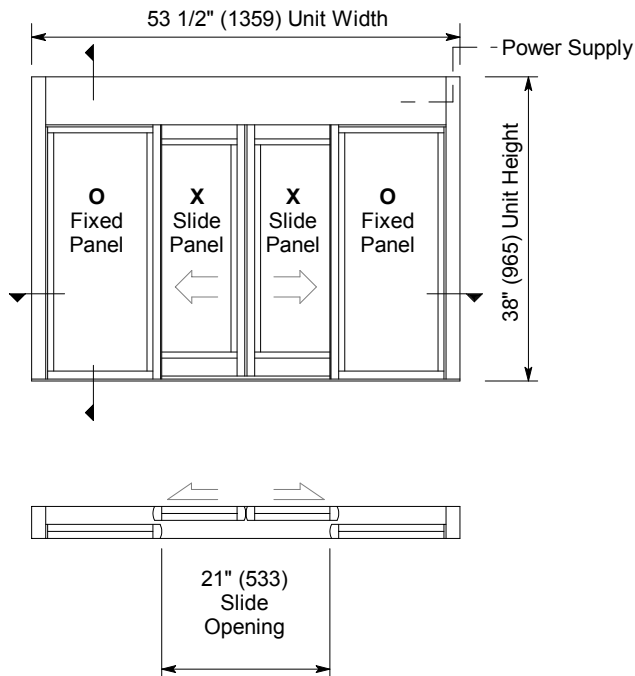
Standard Packages

- **Glazing:** 1/4" clear tempered safety glass.
- **Anodized Finish:** Clear or Dark Bronze.

For standard and optional equipment details see Architectural Specifications starting on p. D4.0 and Specification Details starting on p. B3.0.

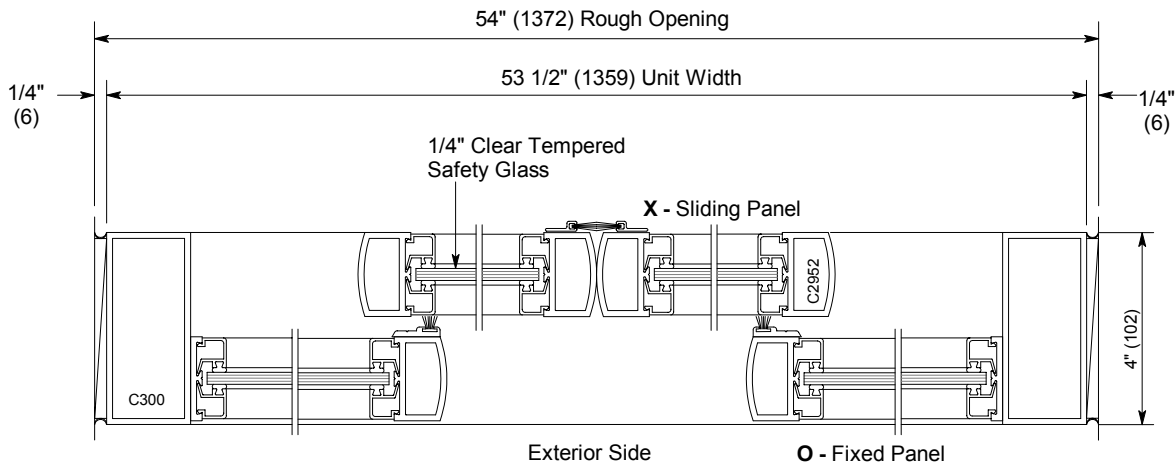
Installation & Operation

- Unit is perimeter mounted within rough opening with 1/4" min. shim space at header & jambs. See page D1.1.
- Electrical: Provide 120 VAC, 60 cycle, single phase, 15 amp service. Average current draw is less than 2 amps. Up to 5 units may be connected to 1 circuit. A .5 amp circuit breaker is provided with each operator.
- Window unit actuated by choice of push button, header mounted presence sensor or Hip-Scan photoelectric beam mounted at counter.
- Autolock locks unit each time closed and unlocks each time activated. Manual locks also provided.



Floor Plan with Exterior Elevation

Vertical Section
Window shown in closed position



Horizontal Section