



® 4242 Baldwin Boulevard
 Corpus Christi, Texas
 USA 78405-3399
 Tel: 800-531-3111, 361-888-5591
 Fax: 800-531-3108, 361-888-6510
 www.hortondoors.com
 The Automatic Choice

SELECTION GUIDE

DRIVE-THRU SERVICE WINDOWS

Series 8100 Automatic

D2.0

Type: Single Slide X-O or O-X, Flush Mount

Jan 08

Standard Packages

Unit Width	Unit Height	Slide Opening	Clear Opening Height	Rough Opening	
				Width	Height
48" (1219)	30" (762)	18 1/2" (470)	23" (584)	48 1/2" (1232)	30 1/4" (768)
48" (1219)	36" (914)	18 1/2" (470)	29" (737)	48 1/2" (1232)	36 1/4" (920)
48" (1219)	48" (1219)	18 1/2" (470)	41" (1041)	48 1/2" (1232)	48 1/4" (1225)
47 1/2" (1207)	44" (1118)	18" (457)	37" (940)	48" (1219)	44 1/4" (1124)
45 1/2" (1156)	38" (965)	16" (406)	31" (787)	46" (1168)	38 1/4" (972)
50" (1270)	38" (965)	20 1/2" (521)	31" (787)	50 1/2" (1282)	38 1/4" (972)

Glazing: 1" Insulated clear tempered safety glass **Anodized Finish:** Clear or Dark Bronze

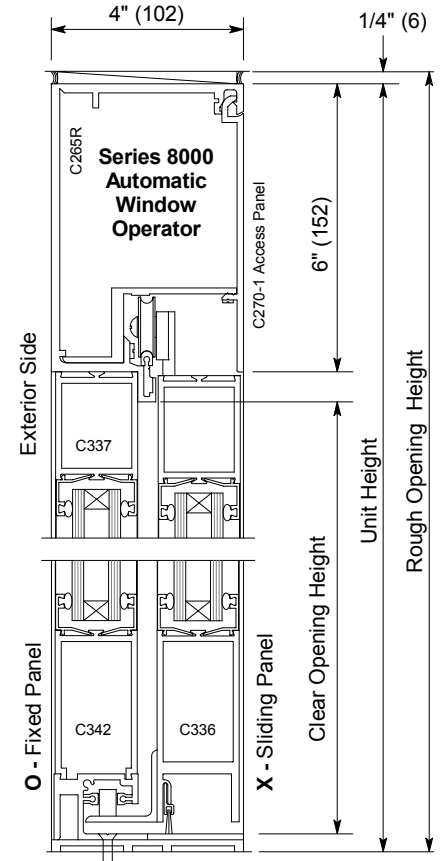
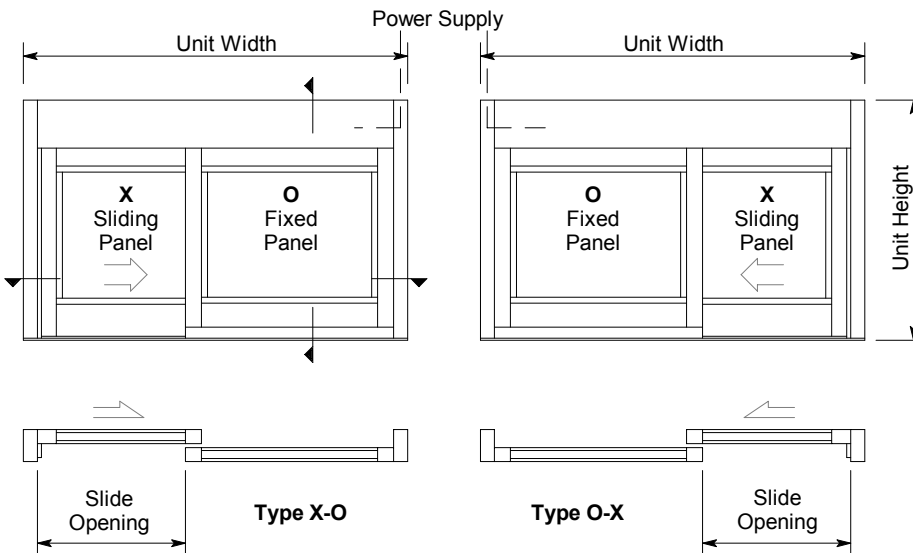
Installation

- Unit is perimeter mounted within rough opening with 1/4" min. shim space at header & jambs. See page D1.1.
- Electrical: Provide 120 VAC, 60 cycle, single phase, 15 amp service. Average current draw is less than 2 amps. Up to 5 units may be connected to 1 circuit. A .5 amp circuit breaker is provided with each operator.

Operation

- Window unit actuated by choice of push button, header mounted presence sensor or Hip-Scan photoelectric beam mounted at counter.
- Autolock locks unit each time closed and unlocks each time activated. Manual locks also provided.

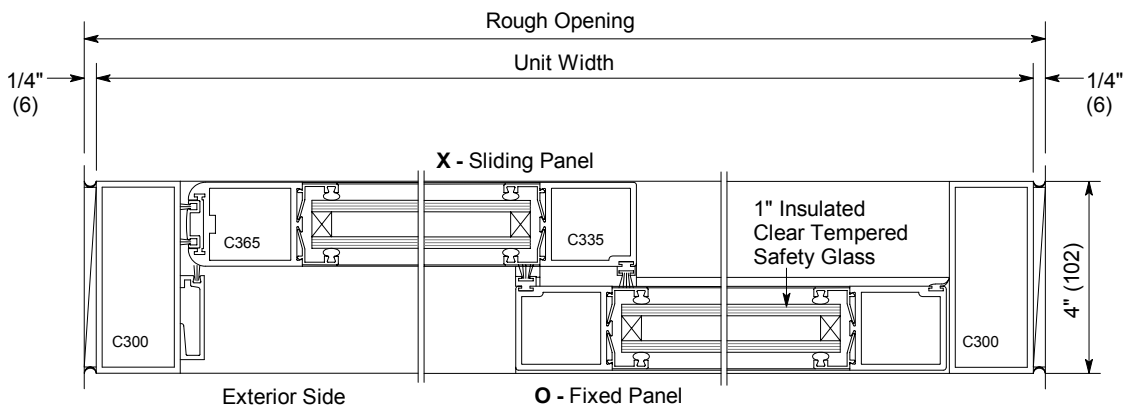
For standard and optional equipment details see Architectural Specifications starting on p. D4.0 and Specification Details starting on p. B3.0.



Floor Plans with Exterior Elevations

Vertical Section

Window shown in closed position



Horizontal Section

Type X-O shown, O-X opposite

Horton Automatics reserves the right to alter its product and specifications without notice. Dimensions given in U.S. inches followed by millimeters in parenthesis.