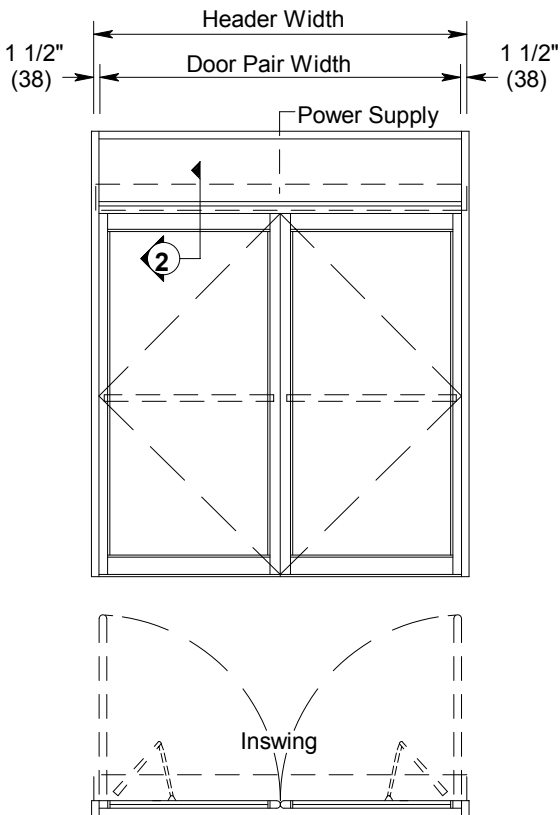


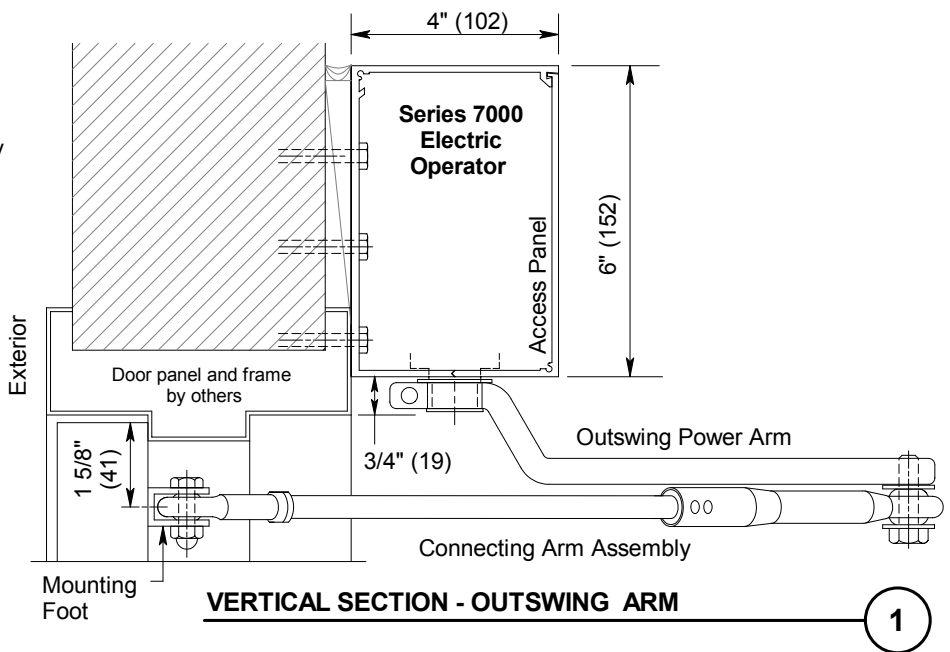
SINGLE UNIT - ELEVATION & FLOOR PLAN

Type LHR shown (RHR opposite)



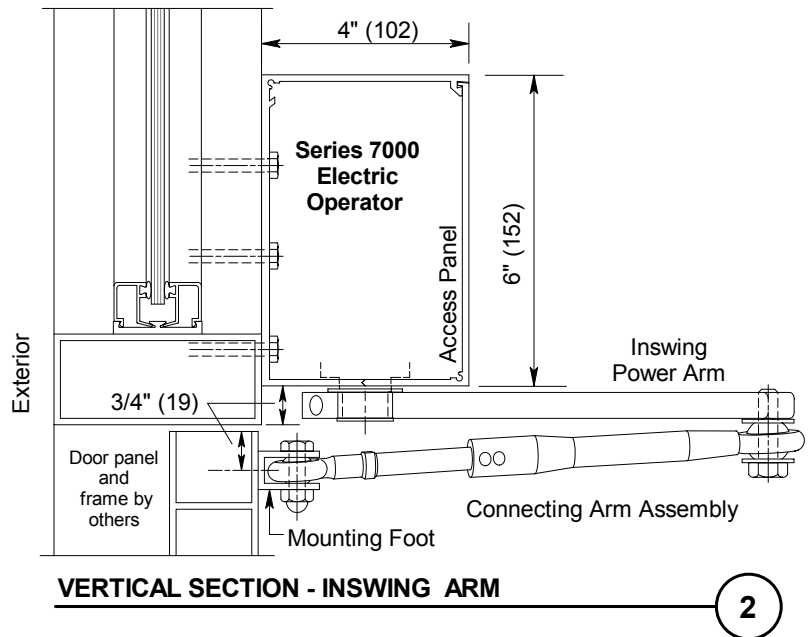
PAIR UNIT - ELEVATION & FLOOR PLAN

Type LH-RH shown



VERTICAL SECTION - OUTSWING ARM

1



VERTICAL SECTION - INSWING ARM

2

DIMENSIONAL DATA FOR STANDARD PACKAGES

Single Units		Pair Units	
Types: LHR, RHR, LH, RH		Types: LHR-RHR, LH-RH	
Door Width	Header Width	Door Pair Width	Header Width
3'-0" (914)	3'-3" (991)	5'-0" (1524)	5'-3" (1600)
3'-6" (1067)	3'-9" (1143)	6'-0" (1829)	6'-3" (1905)
		7'-0" (2133)	7'-3" (2210)

- For additional information regarding hardware and options see ARCHITECTURAL SPECIFICATIONS starting on page B11.0.
- Doors are handed as viewed from the exterior (side opposite operator).