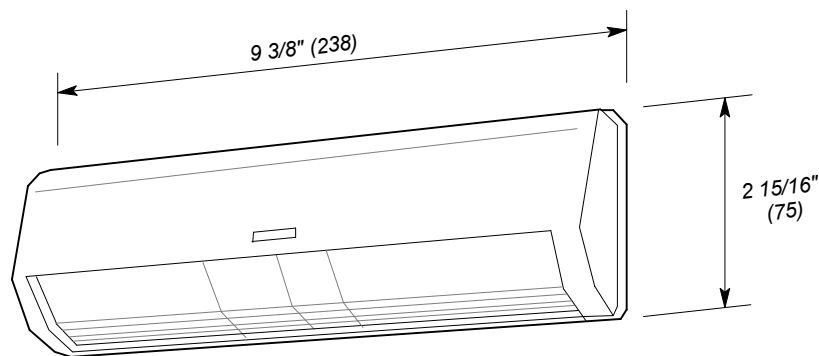


C1234 Motion Sensor
Commercial Swing DoorsE2.3
Jan 08

C1234 General Description: Header mounted sensor provides active infrared motion sensing.

- Detection Method: Active infrared reflection
- Width and depth are individually adjustable
- Variable time delay for presence detection: 2-60-180 seconds
- Meets ANSI standards for detecting a small object moving (not speed limitations)
- Can be used in an exposed outdoor environment
- Proven circuitry and components
- Visible LED to monitor activation
- 12-24 VDC/VAC operating voltage
- Current Draw: 150mA@12VDC
- Output Contact: Relay contact "Form C" 50V, within 0.3A (Resistance load)
- Output Holding Time: Approx. 0.5 sec.
- Operating Temperature: -30° F to +130° F (-34.4° C to +50° C)
- Meets all requirements of FCC, EC and ANSI
- Design protects against vandalism with high impact construction
- Fail safe function
- Vertical mount
- Available in black or silver



C1234
Motion sensor