



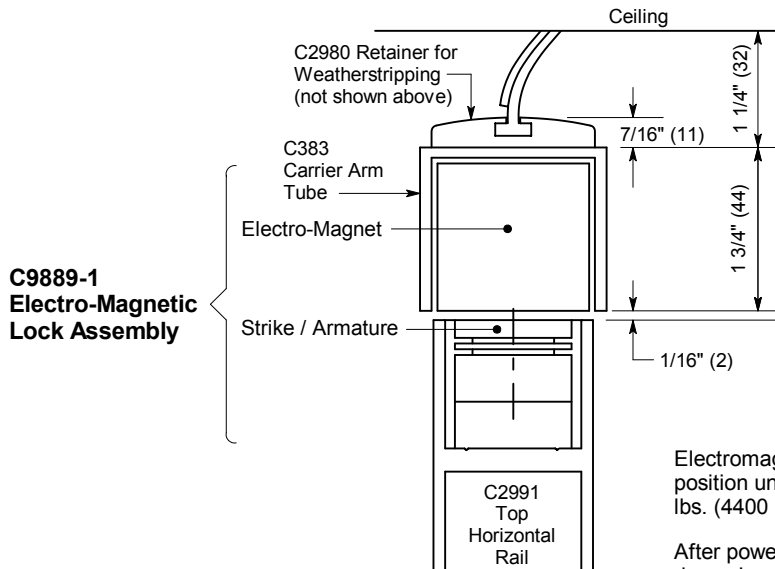
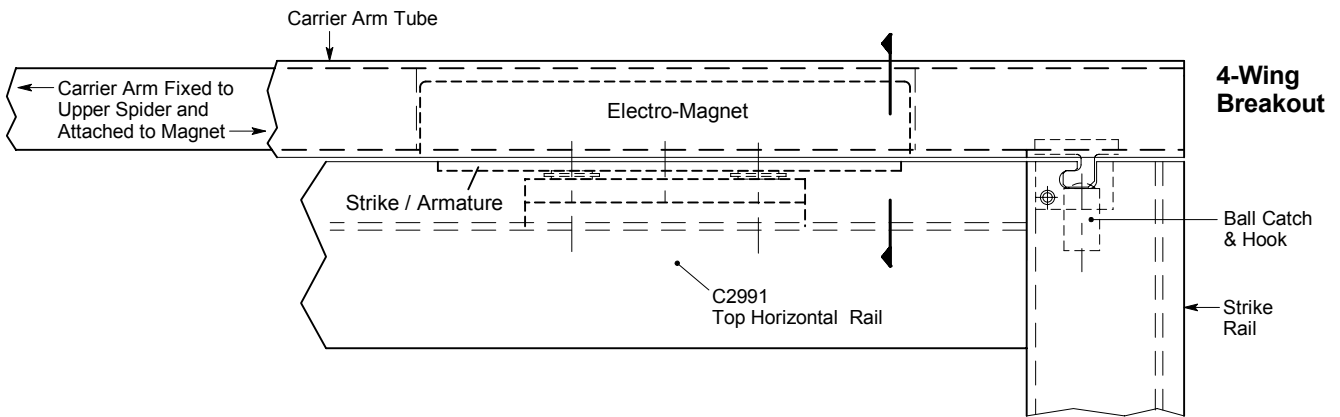
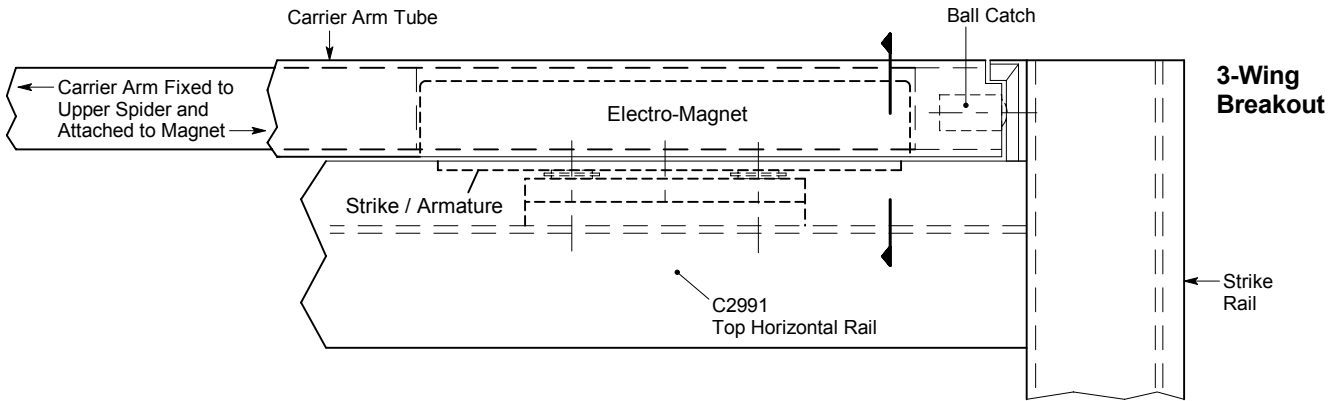
© 4242 Baldwin Boulevard  
 Corpus Christi, Texas  
 USA 78405-3399  
 Tel: 800-531-3111, 361-888-5591  
 Fax: 800-531-3108, 361-888-6510  
 www.hortondoors.com  
 The Automatic Choice

# SPECIFICATION DETAILS

## REVOLVING DOORS

### Magnetic Locking with Ball Catch Breakaway

F3.1  
Jan 08



**Vertical Section**

Electromagnets hold wings in locked position under normal conditions with 1000 lbs. (4400 N.) minimum force.

After power is released from magnetic lock door wings will collapse for Emergency Egress, as required by Code, with 80-130 lbs. (355-578 N.) of force (adjustable).