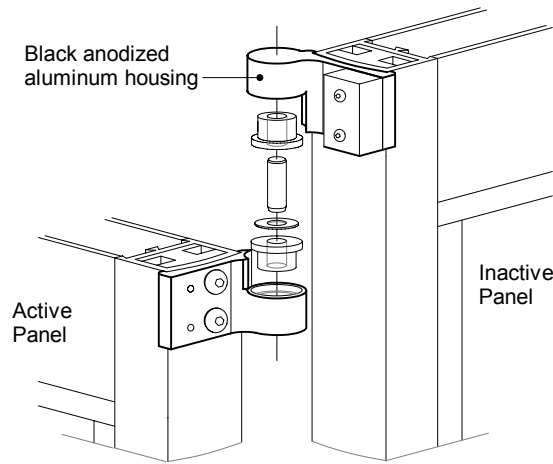


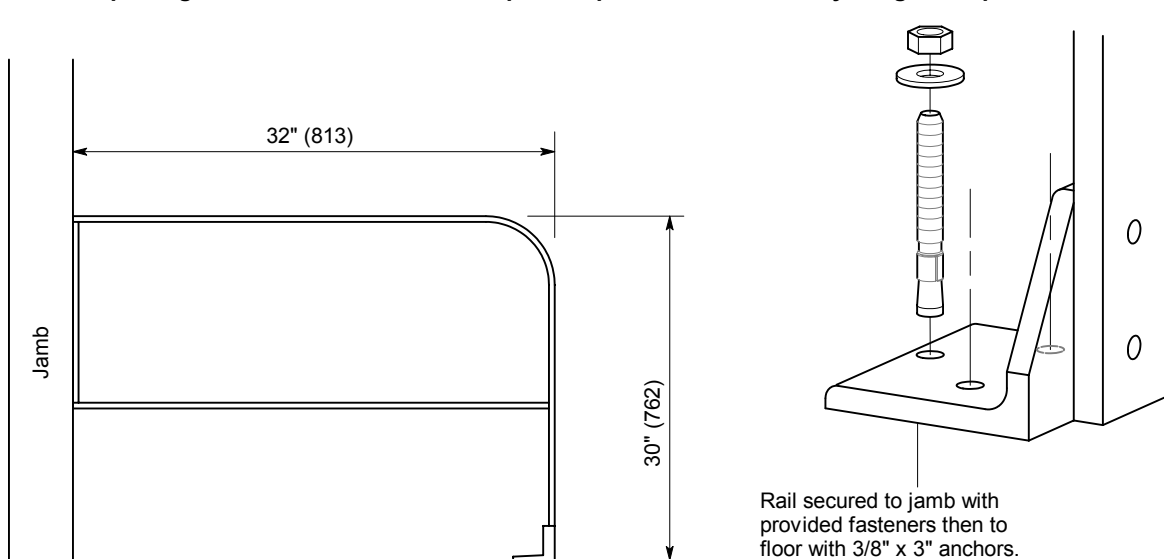
**Roller at Inactive Panel**



**Hinge assembly**

Hinge shown for LHR & RH units

**ANSI 156.10 requires guide rails on the fold side of power operated doors used by the general public.**



**C1203-2 Guide Rail**