



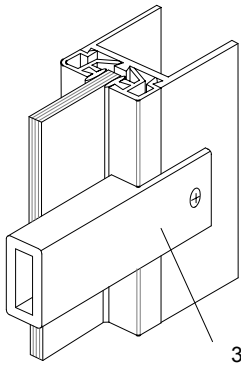
® 4242 Baldwin Boulevard
 Corpus Christi, Texas
 USA 78405-3399
 Tel: 800-531-3111, 361-888-5591
 Fax: 800-531-3108, 361-888-6510
 www.hortondoors.com
 The Automatic Choice

SPECIFICATION DETAILS

AUTOMATIC SWINGING ENTRANCES

Standard Lock, Pushbar and Optional Rails
 for Series 4500

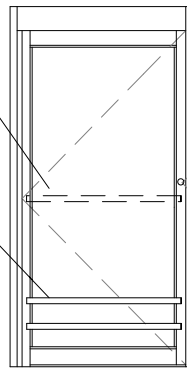
B11.4
 July 10



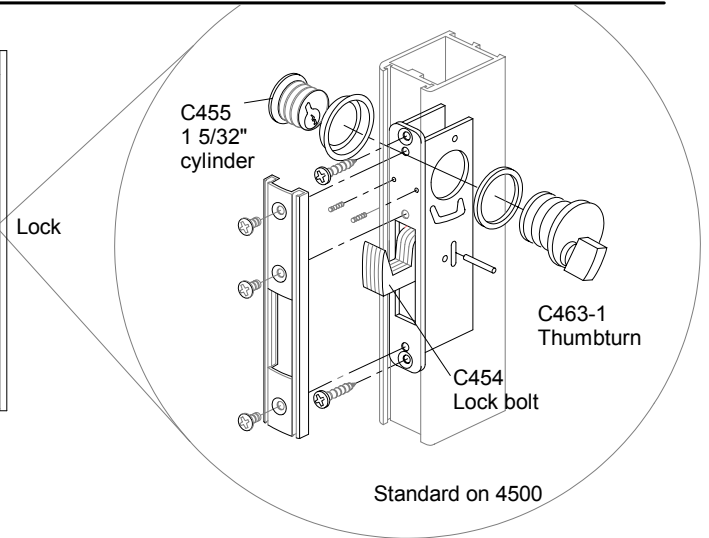
C278-1 Pushbars are sent loose & field mounted on interior side of breakout panels if no midrail is specified.
 Can also serve as "crash bar" in grocery store applications when applied to exterior and/or interior.

3/4" (19) x 1 1/2" (38)

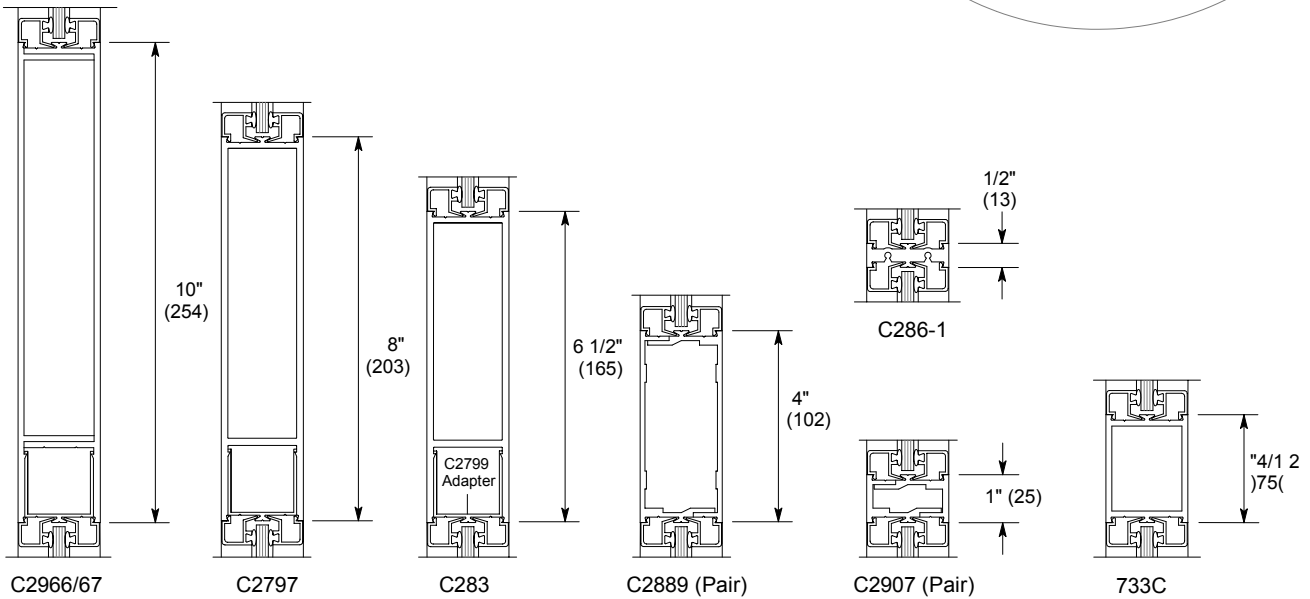
Standard Pushbar



Elevation

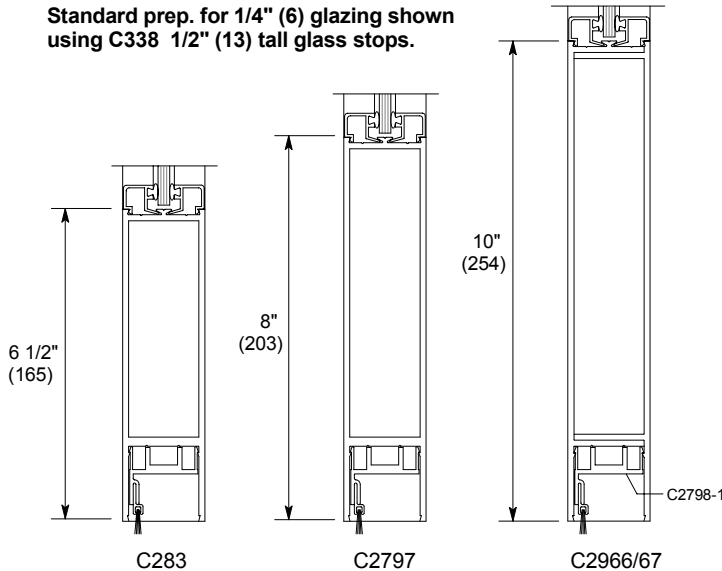


Standard on 4500

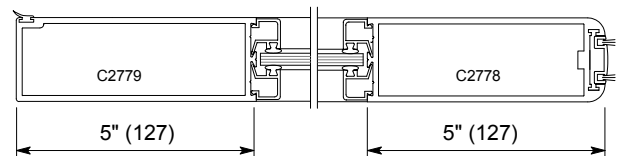


Optional Mid-Rails

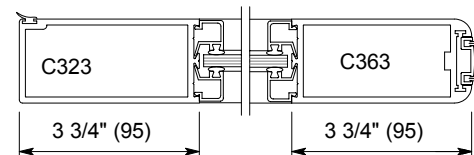
Notes:
 Standard prep. for 1/4" (6) glazing shown using C338 1/2" (13) tall glass stops.



Optional Bottom Rails



Wide Stile Vertical Rails



Medium Stile Vertical Rails