



4242 Baldwin Boulevard
 Corpus Christi, Texas
 USA 78405-3399
 Tel: 800-531-3111, 361-888-5591
 Fax: 800-531-3108, 361-888-6510
 www.hortondoors.com
 The Automatic Choice

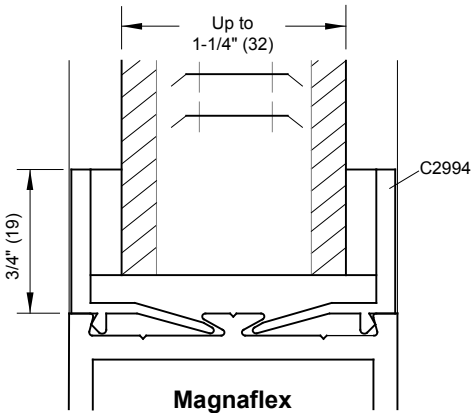
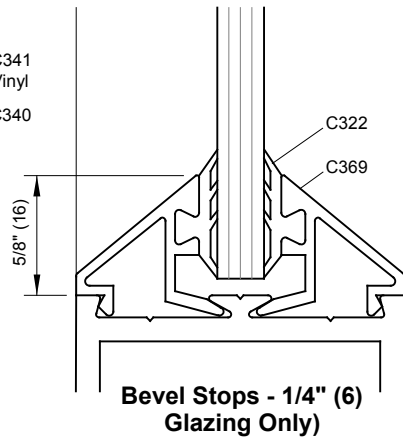
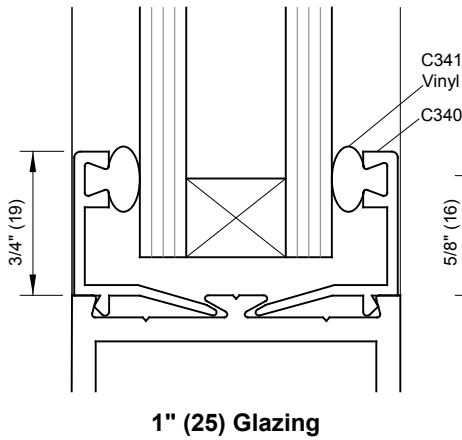
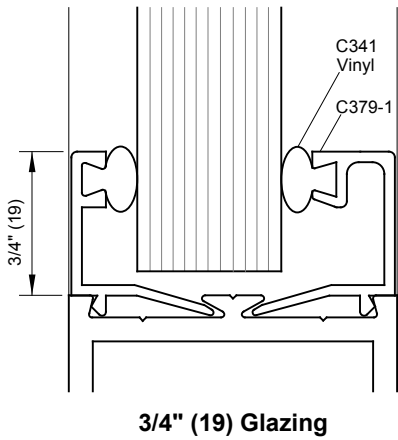
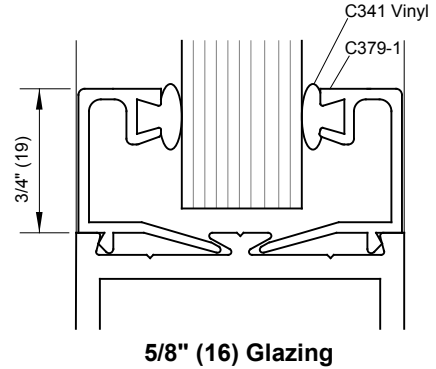
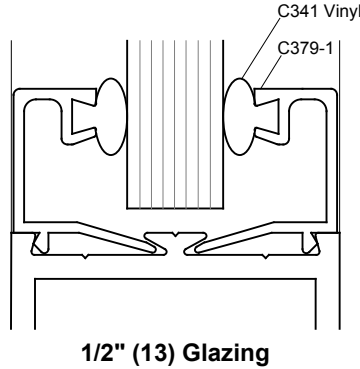
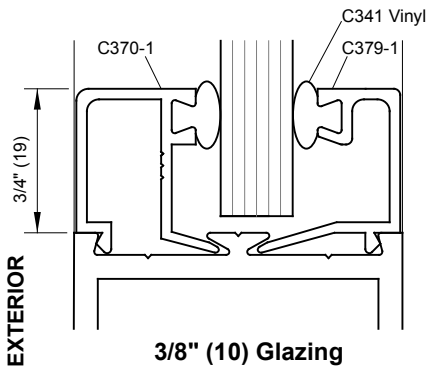
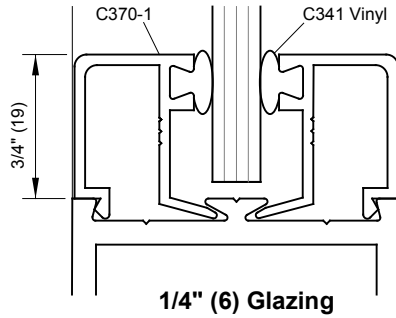
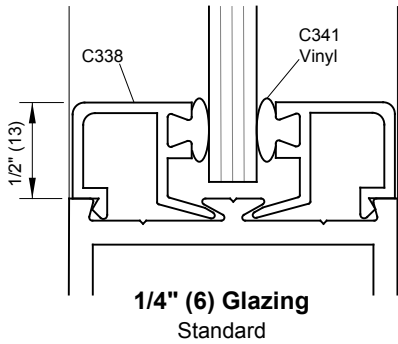
SPECIFICATION DETAILS

AUTOMATIC COMMERCIAL SLIDE DOORS

Standard and Optional Glass Prep

A5.5

Jun 18



HD-BLAST DOOR

Nominal 9/16" (14) Thick Laminated Glass:

- * 1/4" (6) Heat Strengthened Glass (2 Layers)
- * 0.075" (2) Solutia Vanceva Composite Interlayer

