



® 4242 Baldwin Boulevard  
 Corpus Christi, Texas  
 USA 78405-3399  
 Tel: 800-531-3111, 361-888-5591  
 Fax: 800-531-3108, 361-888-6510  
 www.hortondoors.com  
 The Automatic Choice

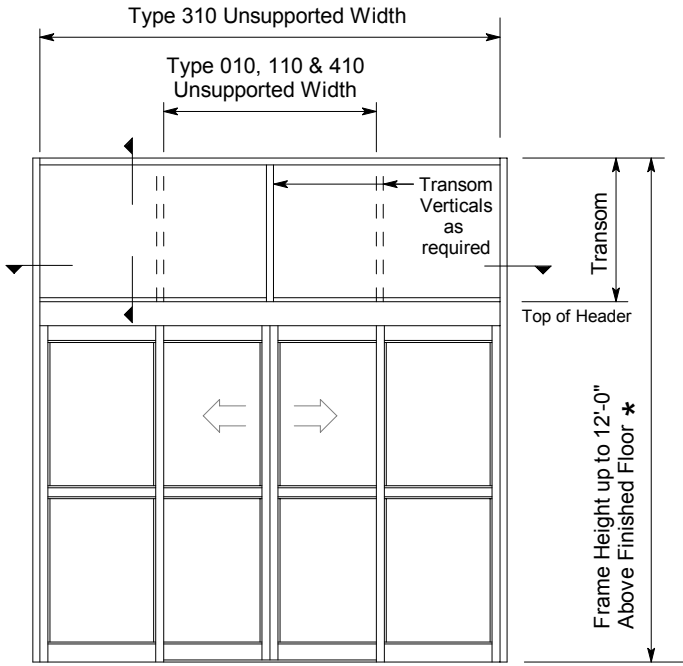
# SPECIFICATION DETAILS

## AUTOMATIC COMMERCIAL SLIDE DOORS

### Typical Transoms

A5.0

Jan 08

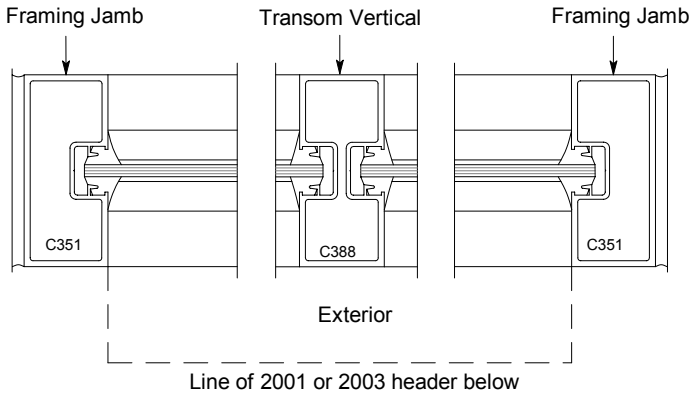


Elevation

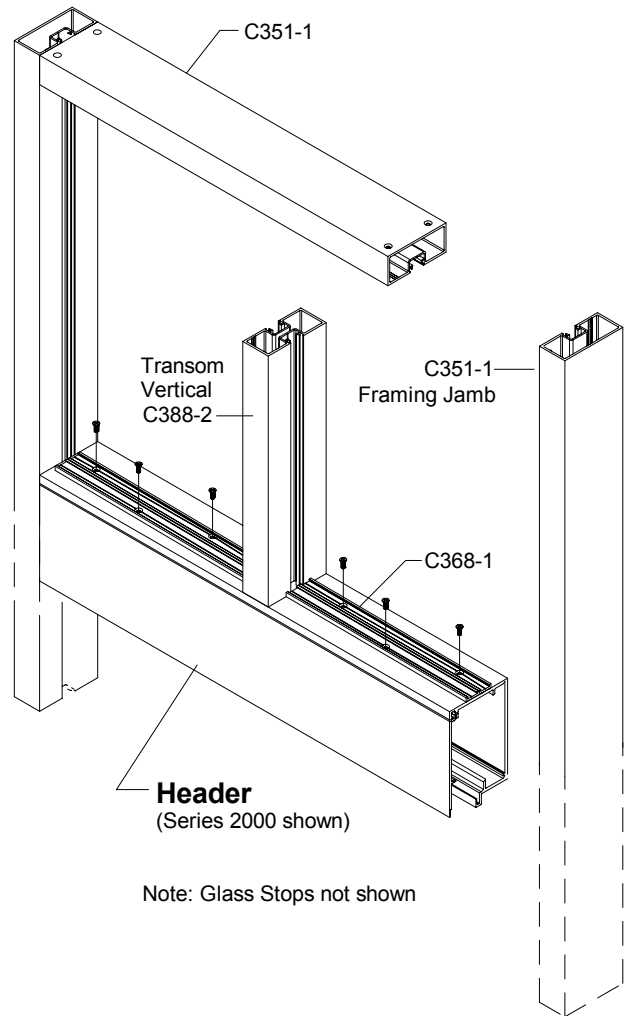
### Load Limits for Unsupported Transoms

Unsupported Width	Allowable Transom Wt.		
	2000	2001	2003
up to 8'	600 Lb.	800 Lb.	650 Lb.
up to 10'	250 Lb.	500 Lb.	250 Lb.
up to 12'	100 Lb.	250 Lb.	100 Lb.

1. Fixed sidelites qualify as header support.
2. Loads of 250 lbs. or more should have a min. of three 1/4" screws securing header to jamb.
- \* 3. For support of larger transoms contact the factory.

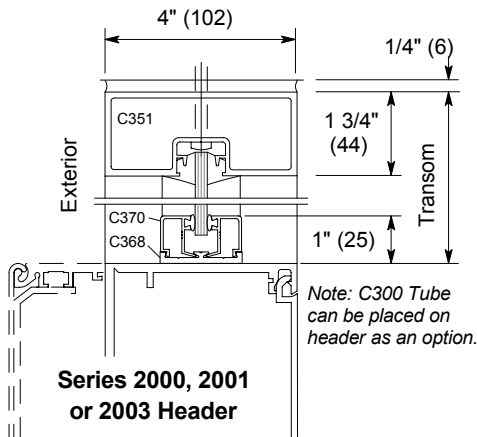


Horizontal Section



Header  
 (Series 2000 shown)

Note: Glass Stops not shown



Series 2000, 2001  
 or 2003 Header

Vertical Section