

SELECTION GUIDE

AUTOMATIC SWING DOORS & OPERATORS - HEAVY DUTY

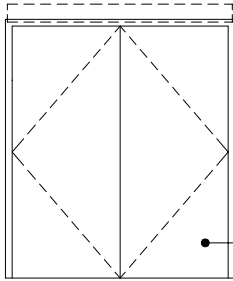
General Information - Operator Types and Configurations
Surface Applied Operators

B1.0
Jan 08

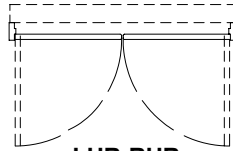
Standard Hand Configurations

(Viewed from side opposite operator)

Pairs

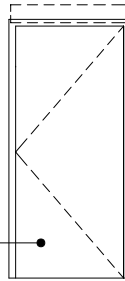


LH-RH
Left Hand - Right Hand
(Swing In)

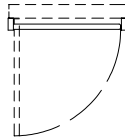


LHR-RHR
Left Hand Reverse - Right Hand Reverse
(Swing Out)

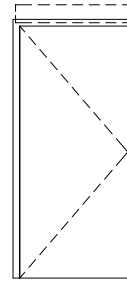
Singles



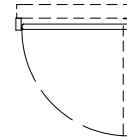
LH
Left Hand
(Swing In)



LHR
Left Hand Reverse
(Swing Out)



RH
Right Hand
(Swing In)



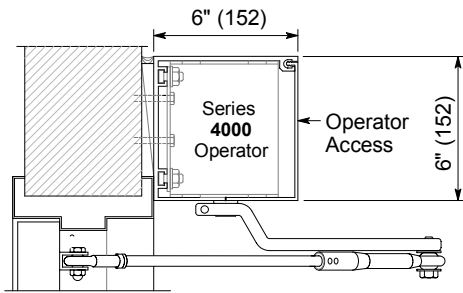
RHR
Right Hand Reverse
(Swing Out)

Swing door panels by others

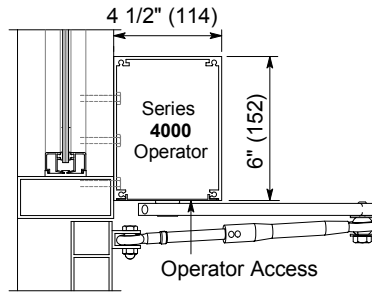
Operator Header

Note: Guard rails (not shown) required on swing side of full power swing door as per ANSI 156.10.

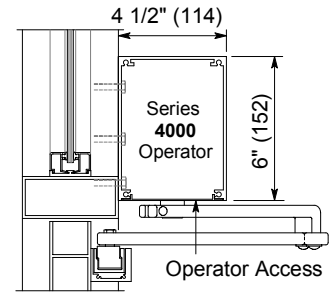
HD-Swing® Operator Types with Standard Arm Configurations



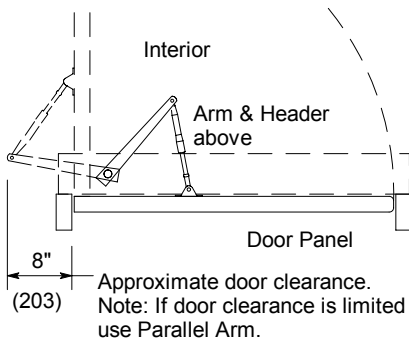
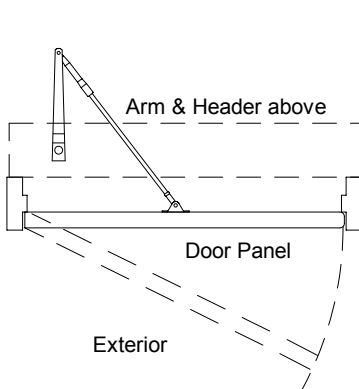
Series 4100 Side Access
with Outswing Arm Assembly



Series 4100 Bottom Access
with Standard Inswing Arm Assembly



Series 4100 Bottom Access
with Parallel Inswing Arm Assembly



Approximate door clearance.
Note: If door clearance is limited use Parallel Arm.

