

# Specify Swing Door Operators In The Proper Section



## Problem

Low Energy/ADA compliant automatic swing door operators are sometimes incorrectly specified in MasterFormat™ 2004 Section 08 06 71 or 08 71 00 “Door Hardware,” typically resulting in an unsatisfied owner and improper entrance operation.

## Solution

Specify automatic swing door operators in Section 08 42 29.33 “Swinging Automatic Entrances” or Section 08 71 13 “Automatic Door Operators” for code compliance, professional installation and years of trouble-free service. With AAADM\* certified installation, your clients are assured that:

- Automatic operators are properly calibrated and meet applicable codes for mode of operation
- Operators are paired correctly with the doors and associated hardware
- Product **and** labor warranties are backed by qualified professionals



\*Specify Horton and demand AAADM certified installation

**AAADM** American Association of Automatic Door Manufacturers



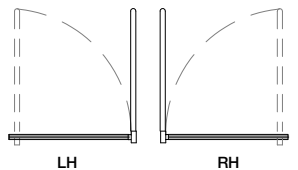
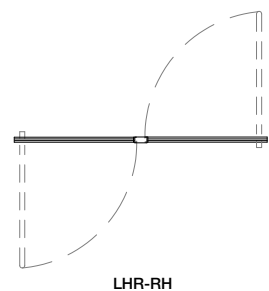
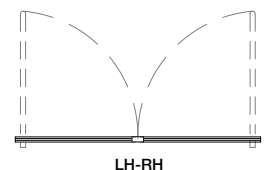
**For automatic door operators**

**Use These Specifications**

08 42 29.33 or 08 71 13  
Automatic Door Operators

**Not These Specifications**

08 06 71 or 08 71 00  
Door Hardware



**All hand combinations available**



## HD-Swing® 4100LE & EasyAccess 7100 Low Energy Operators

Once the activating switch is pressed, the Series 4100LE or 7100 operator slowly opens the door and holds it open for an adjustable length of time. This creates a barrier-free doorway and gives the pedestrian time to pass through the door before it slowly closes using spring force of less than 15 pounds (67 N).

### Electrical Requirements:

120 or 220 VAC, 50 - 60 Hz, single phase, 15 amp service. Current draw - 3.15 amps.

### Adjustments:

- Opening speed: 3 to 6 sec. to 80° (Open check)
- Closing speed: 3 to 6 sec. from 90° to 10° (Close Check)
- Time delay: 2 to 30 sec. (ANSI A156.19 requires 5 sec. minimum time delay)

### Did You Know?

Low energy operators move the door slowly at a rate considered intrinsically safe



### Selection Guide

#### Standard Single Units

Door Width	Header Width
3'-0" (914)	3'-3" (991)
3'-6" (1067)	3'-9" (1143)
4'-0" (1219)	4'-3" (1295)

#### Standard Pair Units

Pair Width	Header Width
6'-0" (1829)	6'-9" (1905)
7'-0" (2133)	7'-3" (2210)
8'-0" (2438)	8'-3" (2515)

#### Maximum Door Width:

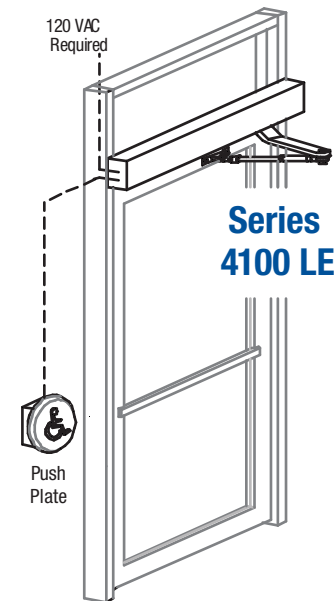
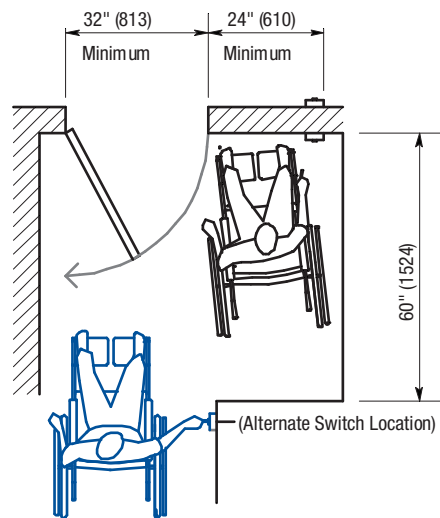
4100LE	4'-6" (1524)
7100	3'-6" (1067)

#### Maximum Door Weight:

4100LE	700 lbs (320kg)
7100	200 lbs (91kg)

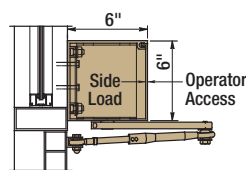
### Installation and Operation

Activating device to be located on each side of opening for two-way traffic as per ANSI Safety Standard A117.1

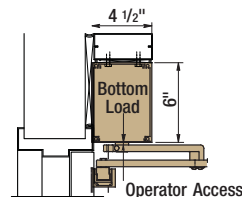


### Architectural Details

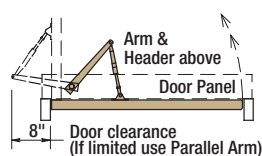
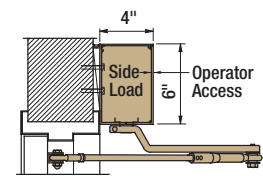
Surface Mount Side Access with In Swing Arm Assembly



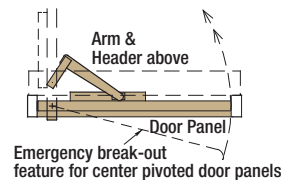
Surface Mount Bottom Access with In Swing Parallel Arm Assembly



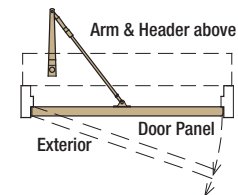
Surface Mount Bottom Access with Out Swing Arm Assembly



Shown: HD-Swing® Series 4100 Operator



Shown: HD-Swing® Series 4100LE



Shown: EasyAccess® Series 7100 Operator



**Horton Automatics**  
**World Headquarters**  
 4242 Baldwin Boulevard  
 Corpus Christi, Texas 78405-3399 USA  
 Phone: 800-531-3111, 361-888-5591  
 Fax: 361-888-6510  
[www.hortondoors.com](http://www.hortondoors.com)

**Horton Automatics, Ltd.**  
**United Kingdom**  
 Unit A, Hortonwood 31  
 Telford, Shropshire, England TF1-7YZ  
 Phone: 01952 670169  
 Fax: 01952 670181



A Division of  
**Overhead Door Corporation**  
 A Sanwa Holdings Company