

Standard Packages

Unit Width	Panel Width	Swing Opening	Rough Opening Width
6'-3 1/2" (1918)	3'-0" (914)	5'-5 5/8" (1667)	6'-4" (1829)
7'-3 1/2" (2223)	3'-6" (1067)	6'-5 5/8" (1972)	7'-4" (2261)
8'-3 1/2" (2527)	4'-0" (1219)	7'-5 5/8" (2276)	8'-4" (2540)

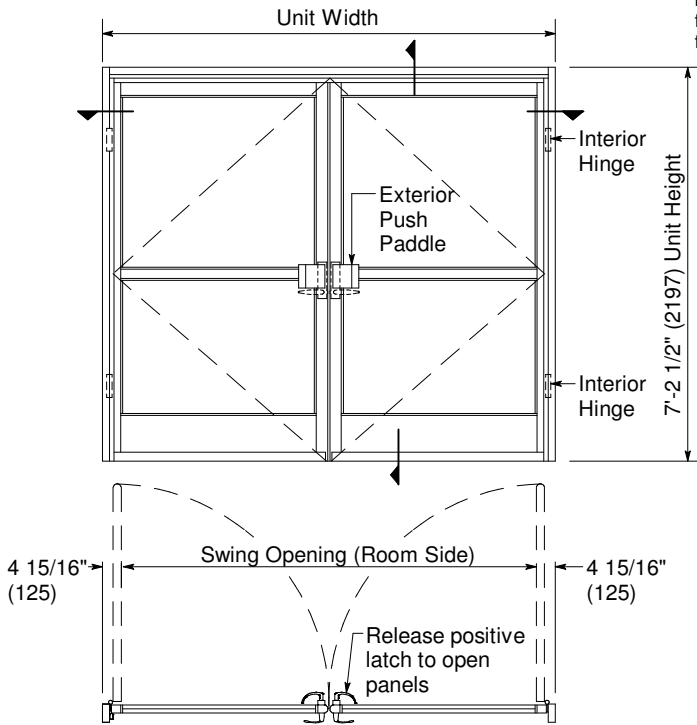
Unit Height: 7'-2 1/2" (2197) Rough Opening Height: 7'-2 3/4" (2203) Glazing: Prep for nominal 9/16" (14) glazing	Anodized Finish: Clear or Dark Bronze
--	---

Compliant with:

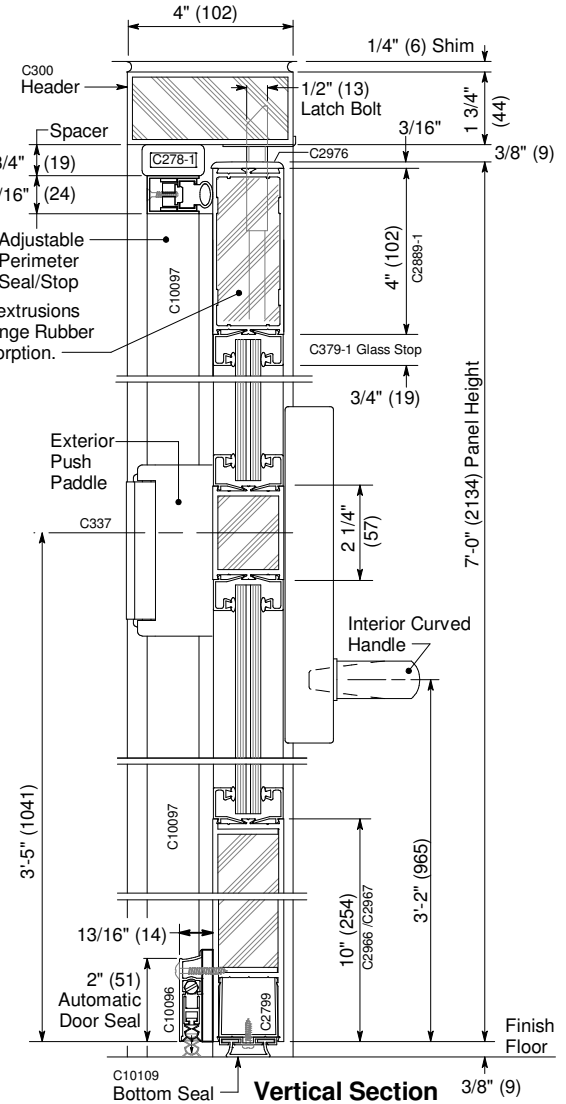
- **STC-35 Sound Transmission Class Rating**
 In accordance with ASTM E413-04 Classification for Rating Sound Insulation.
- **ASTM E90-04 Standard Test**
 for Laboratory Measurement of Airborne Sound Transmission of Building Partitions and Elements
- **UL 1784 Air Leakage Test of Door Assemblies**
- **NFPA 105 Standard for Installation of Smoke Door Assemblies**

Installation and Operation

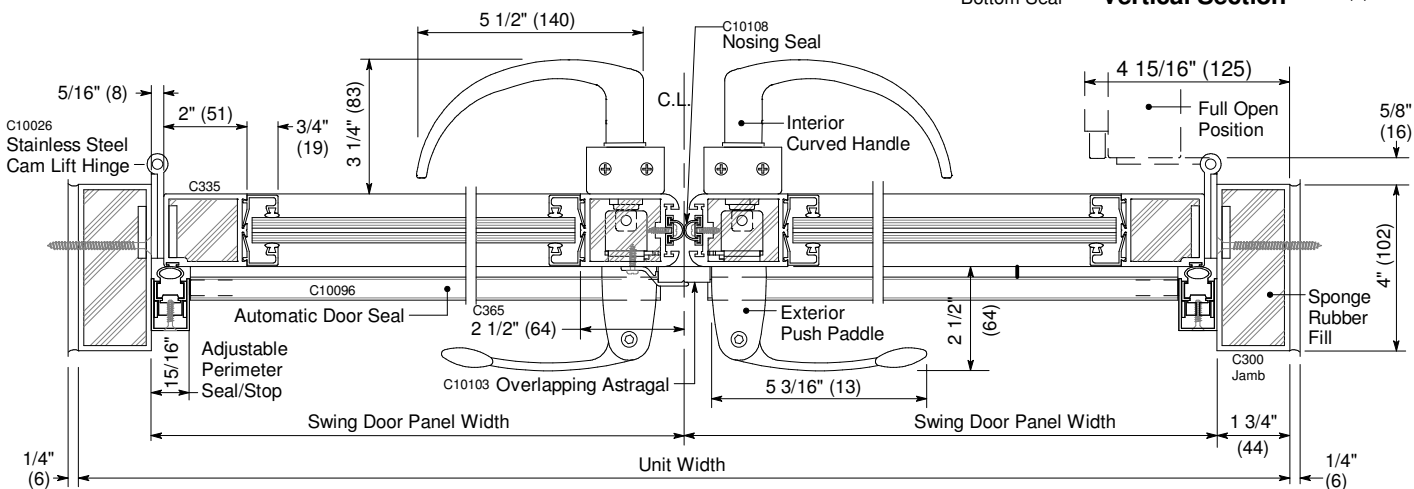
- Door perimeter mounted within curtainwall or rough opening with 1/4" minimum shim space at header & jambs. Finish floor not to exceed 1/4" out of level. Opening to be level & plumb in both directions.
- Panels can swing open 90° after positive latch is released. Panels require max. 30 lbs of force applied at the strike stile to open.
- Door panel rises 5/16" on opening 90°. Allow for 1 1/2" ceiling clearance on Swing Side



Exterior Elevation and Floor Plan



Vertical Section



Horizontal Section